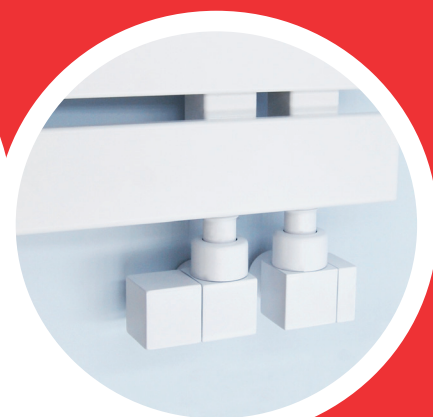




saving energy 



MANUFACTURER OF RADIATOR FITTINGS

PRODUCT CATALOG

2023/A

HISTORY OF VARIO TERM

Mera-Pnefal was the first company in Poland and one of the first in Europe manufacturing thermostatic heads. First designs of fluid sensors were created in the 1980's on the basis of bellows produced for pneumatic automation systems.

Thermostatic heads, thermostatic valves and other radiator's equipment under Vario Term brand are designed and manufactured with accordance to tradition, strict quality requirements and high technological level.



1964

Bellows for assembling control-measurement instruments



1988

First thermostatic head with a fluid sensor, Type: M615



1993

Thermostatic head with a fluid sensor, Type: M616



1999

CLASSIC thermostatic head



2004

Thermostatic heads: PLUS, TRENDY, PRESTIGE, PRESTIGE RTL, VENUS



2017 - 2020

Thermostatic heads: DISTANT, CONTACT and PICCO; ALL IN ONE sets, System VRC

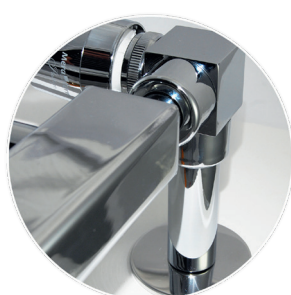


2021

Thermostatic heads: TUCAN, PONY, ALL IN ONE GLAMOUR sets

Thanks to the [modern shape](#) of thermostatic heads and stainless steel of Vario Term valves, they perfectly complement radiators of different manufacturers.

[Vario Term thermostatic heads and valves](#) regulate radiators' work and as a result reduce energy consumption, improve temperature comfort of rooms and certainly are an additional element decorating a radiator.



The company Vario Term was awarded the title of „Forbes Diamond 2021“.

VARIO TERM TODAY

Vario Term offers heads, thermostatic valves and other radiator equipment items and is one of the few native manufacturers and exporters of such solutions, especially exclusive fittings.

We divide our products into four basic categories. Among them, you can find both exclusive solutions and cheaper products, but still in an interesting design offer. The cheapest thermostatic or regulatory sets, without the color versions, is the Economy class. The level above includes sets with thermostatic valves equipped with presetting, with cheaper warheads, but without colors (standard class).

For more demanding users who care about the color matching of the fittings to the radiator, the Elegant sets are designed, in which most valves have a set point. The highest category of Vario Term products are Exclusive sets. There is a full range of colors available for them along with the coating of structural varnishes, individual orders for unusual colors are also possible, eg gold, pink, green etc. They are the best quality products dedicated to the most expensive decorative radiators. A full range of colors is available for them, together with a coating of structural varnishes, it is also possible to order atypical colors, eg yellow, red, etc. We will produce the *ALL IN ONE* set with color-matched fittings in any color from the RAL palette.

Vario Term offers both individual thermostatic heads and thermostatic valves as well as complete sets. We also offer mounting accessories. These are connectors, extensions, rosettes and other parts, painted in the Color of the radiator or valve. Thanks to these accessories, you can hid pipes, wall passages and other unsightly elements of the radiator connection.



In addition to the fact that radiator accessories must be interesting in design and enable precise temperature control, it is also important to be safe. Therefore, when deciding on the choice of a given product, it is worth checking if it has the appropriate safety certificates and declarations of conformity. This is a very important aspect for us and that is why, in the interest of quality and safety of our products, we have obtained a positive opinion from the *WSP Lab* in Stuttgart.

Thanks to the positive results of laboratory tests, we await the approval of the European Technical Assessment certificate by the Building Research Institute in Warsaw. In addition, basic thermostatic products and sets have been tested at the Institute of Power Engineering in Radom. The designs of the Vario Term thermostatic heads are registered in the Office for Harmonization in the Internal Market of OHIM as community designs and are protected.



PONY THERMOSTATIC HEADS

Thermostatic head meets requirements of PN-EN 215:2020-01 norm

Technical data:

Range	6°C - 32°C* (16°C - 32°C)
Maximum external temperature	50°C
Closure time	16 min.
Pressure difference impact	< 1K
Hysteresis	0,3K
Heating factor temperature impact	1,23K



Application:

„Pony” thermostatic heads are modern classic radiator temperature regulators.

The use of a thermostatic head of the „Pony” series guarantees significant savings in energy consumption, and thus contributes to the reduction of household expenses. It is also a very important device increasing the comfort of everyday life - it adjusts the ambient temperature to the needs and preferences of the user.

The „Pony” heads are designed to work with most of the available thermostatic valves used with older cast iron radiators or modern C-type (compact) plate heaters, and V-type heaters (equipped with a valve insert).

Characteristic:

- Built-in reliable liquid sensor
- Control knob with numerical marking of the settings
- System frost protection function (6°C on „*” setting)
- High-quality plastic plinth, adapted to work at elevated temperatures
- Exterior elements of the head made of ABS plastic in white
- Makes it easier to keep the Pony thermostatic head clean
- Setting the temperature setpoint is intuitive
- The head design is helpful for people with different sensory efficiency due to the characteristic „click” on the given settings

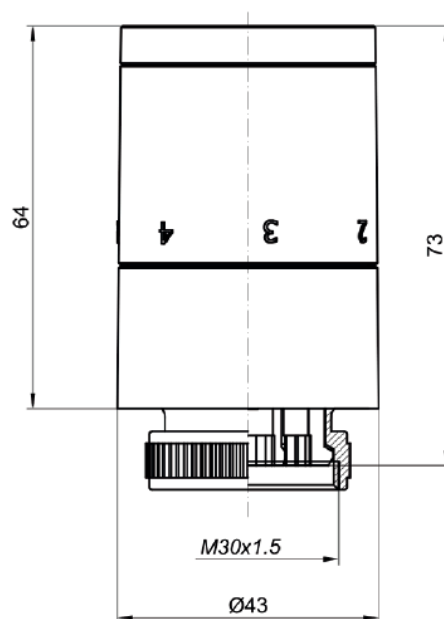
Regulation scale corresponding to the following temperature:

•	1	2	3	4	5	6
6°C	12°	16°	20°	24°C	28°	32°C

* For your wish the regulation scope of thermostatic head can be limited by production process in the ranges from 6°C to 12°C and from 16°C to 32°C.

PONY THERMOSTATIC HEADS

GS.10 (thread M30x1,5)



Designed for thermostatic valves:

- Vario Term
- valve inserts in the Heimeier standard
- others with the M30x1.5 standard

Color	Type	Catalog number	Price
White	GS.10-06C	000M665A001	47 zł

The thermostatic head can be equipped with an anti-theft protection. In order to receive an offer, please contact the office or the Vario Term Export Department.

The management system implemented in Vario Term to manufacturing of thermostatic heads functions according to ISO 9001:2015.

We give a 3-year warranty on thermostatic heads.

TRENDY THERMOSTATIC HEADS

Thermostatic head meets requirements of PN-EN 215:2020-01 norm

Technical data:

Range	8°C – 30°C* (16°C - 30°C)
Maximum external temperature	50°C
Closure time	16 min.
Pressure difference impact	< 1K
Hysteresis	0,3K
Heating factor temperature impact	1,23K



Application:

The „Trendy” thermostatic head is a radiator temperature controller with an economical design. It allows you to maintain the desired thermal comfort in the room while taking into account heat gains from other sources, such as heat gain from people, lighting, and sun exposure. Due to its design, it guarantees easy cleaning, which makes it irreplaceable in hospital, sanatorium, school, etc.

Characteristics:

- Reliable fluid sensor
- Regulating knob with digital marking
- Protection from freezing function (8°C on a setting marked with *)
- Base made of high quality plastic, adjusted to work in higher temperature
- Nice-looking main body and knob made of white ABS plastic
- Availability of limiting minimum as well as maximum temperature

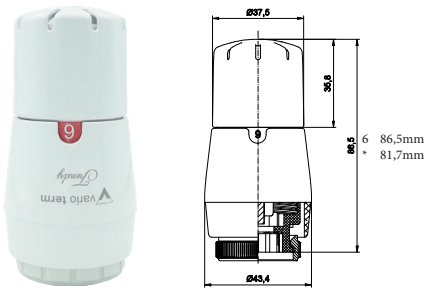
Regulation scale corresponding to the following temperature:

•	1	2	3	4	5	6
8°C	12°	16°	20°	24°C	28°	30°C

* For your wish the regulation scope of thermostatic head can be limited by production process in the ranges from 8°C to 12°C and from 16°C to 30°C.

TRENDY THERMOSTATIC HEADS

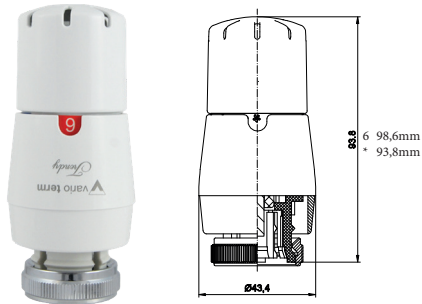
GS.05 (thread M30x1,5)



Designed for thermostatic valves by Vario Term, Heimeier and others (M30x1,5 connecting thread), inserts of Heimeier standard.

Color	Type	Catalog number	Price
White	GS.05-106C	000M651A101	43 zł

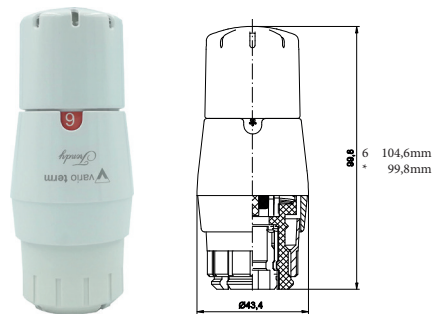
GS.06 (standard RTD)



Designed for thermostatic valves and inserts by Danfoss in the RTD standard.

Color	Type	Catalog number	Price
White	GS.06-106C	000M652A101	43 zł

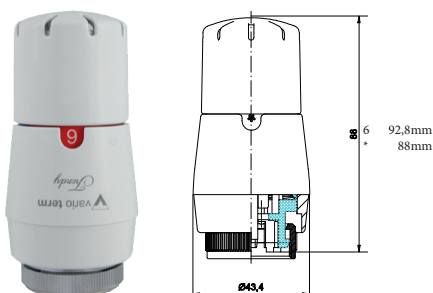
GS.07 (standard Click)



Designed for valve inserts Oventrop, Danfoss, Brugman, Perfexim with RA connection and thermostatic valves Danfoss (click).

Color	Type	Catalog number	Price
White	GS.07-306C	000M653A301	49 zł

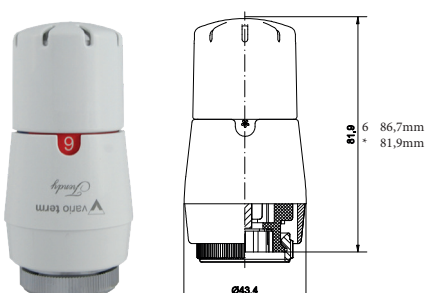
GS.08 (standard Vario)



Designed for thermostatic valves Jafar, Valvex, Jan-K, thermostatic valves by Vario Term VFP and VFK, Mera Pniefal since 1995.

Color	Type	Catalog number	Price
White	GS.08-106C	000M654A101	43 zł

GHe.02 (thread M28x1,5)



Designed for thermostatic valves by Herz and inserts with thread M28x1,5.

Color	Type	Catalog number	Price
White	GHe.02-106C	000M655A101	43 zł

The thermostatic head can be equipped with an anti-theft protection. In order to receive an offer, please contact the office or the Vario Term Export Department.

VENUS THERMOSTATIC HEADS

Thermostatic head meets requirements of PN-EN 215:2020-01 norm

Technical data:

Range	8°C – 30°C* (16°C - 30°C)
Maximum external temperature	50°C
Closure time	16 min.
Pressure difference impact	< 1K
Hysteresis	0,3K
Heating factor temperature impact	1,23K



* LIMITING THE TEMPERATURE ADJUSTMENT RANGE

The temperature range regulation can be limited on customer's request according to values on setting scale. The customer can also apply it independently. In order to do so, you should screw out a blocking spare split pin with a small screw driver on set No 6, which is situated in a slot No 0 and place it in another slot, for example No 4 for maximum temperature of 24°C, etc. To decrease a minimum temperature in a room to 16°C, you should place a blocking split pin in a slot No 2 and set the head on No 2. In GS.04 and GHe.01 thermostatic heads a temperature can be limited only to 8°C to 16°C and from 16°C to 30°C.



Application:

The „Venus” thermostatic head is a radiator temperature controller with an economical design. It allows you to maintain the desired thermal comfort in the room while taking into account heat gains from other sources, such as heat gain from people, lighting, and sun exposure.

Due to its design, it guarantees easy cleaning, which makes it irreplaceable in hospital, sanatorium, school, etc.

Characteristics:

- Reliable fluid sensor
- Regulating knob with digital marking
- Protection from freezing function (8°C on a setting marked with *)
- Main body made of high quality plastic and aluminum

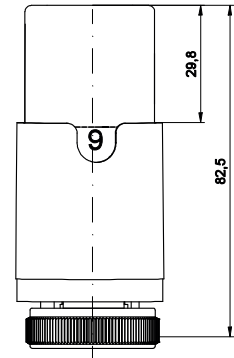
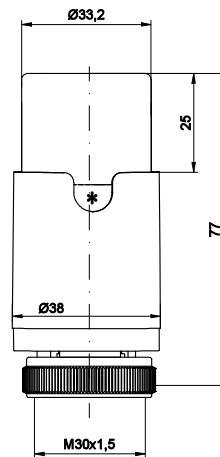
Regulation scale corresponding to the following temperature:

•	1	2	3	4	5	6
8°C	12°	16°	20°	24°C	28°	30°C

* The thermostatic head can be equipped with an anti-theft protection. In order to receive an offer, please contact the office or the Vario Term Export Department.

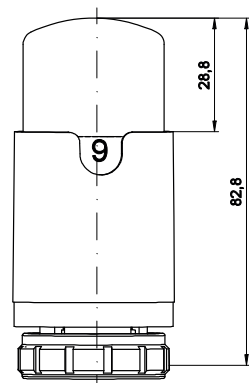
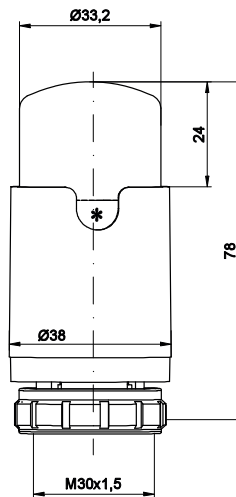
VENUS THERMOSTATIC HEADS

Venus I (thread M30x1,5)



Color	Type	Catalog number	Price
White-Chrome	GS.09-01C	000M642A001	52 zł
Chrome	GS.09-02C	000M642A002	104 zł
White	GS.09-06C	000M642A006	51 zł

Venus II (thread M30x1,5)



Color	Type	Catalog number	Price
White-Chrome	GS.09-101C	000M642A101	52 zł
Chrome	GS.09-102C	000M642A102	104 zł
White	GS.09-106C	000M642A106	51 zł

Designed for thermostatic valves by Vario Term, Heimeier and others (M30x1,5 connecting thread, inserts of Heimeier standard).

PICCO THERMOSTATIC HEADS

Thermostatic head meets requirements of PN-EN 215:2020-01 norm

Technical data:

Range	8°C – 30°C* (16°C - 30°C)
Maximum external temperature	50°C
Closure time	16 min.
Pressure difference impact	< 1K
Hysteresis	0,3K
Heating factor temperature impact	1,23K



Application:

The „Picco” thermostatic head is a radiator temperature controller with an economical design. It allows you to maintain the desired thermal comfort in the room while taking into account heat gains from other sources, such as heat gain from people, lighting, and sun exposure.

Due to its design, it guarantees easy cleaning, which makes it irreplaceable in hospital, sanatorium, school, etc.

Characteristics:

- Reliable fluid sensor
- Regulating knob with digital marking
- Protection from freezing function (8°C on a setting marked with *)
- Main body made of high quality plastic and aluminum

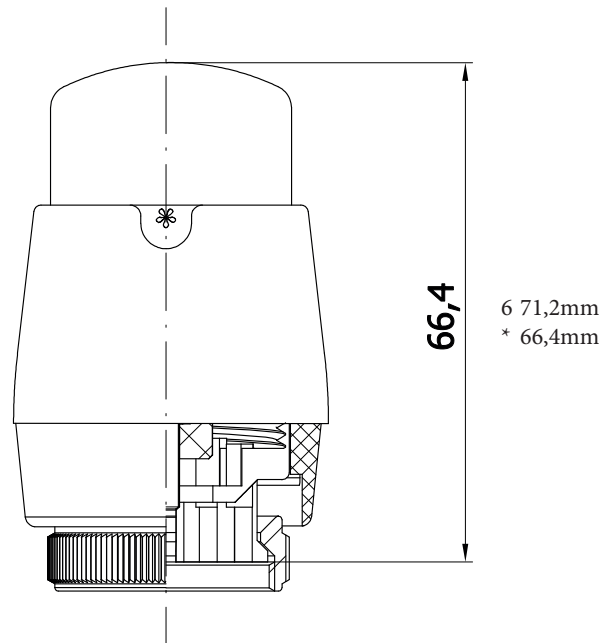
Regulation scale corresponding to the following temperature:

•	1	2	3	4	5	6
8°C	12°	16°	20°	24°C	28°	30°C

* For your wish the regulation scope of thermostatic head can be limited by production process in the ranges from 8°C to 12°C and from 16°C to 30°C.

PICCO THERMOSTATIC HEADS

GS.02 (thread M30x1,5)



Designed for thermostatic valves by Vario Term, Heimeier and others (M30x1,5 connecting thread), inserts of Heimeier standard.

Colors with delivery time 1-7 days

No	Color	Type	Catalog number	Price
01	White-Chrome	GS.02-101P	000M660A101	68 zł
02	Chrome	GS.02-102P	000M660A102	116 zł
05	Structural graphite	GS.02-105P	000M660A105	124 zł
06	White	GS.02-106P	000M660A106	68 zł
07	Glossy anth./Graph.	GS.02-107P	000M660A107	124 zł
12	Metallic graphite	GS.02-112P	000M660A112	124 zł
13	Glossy black	GS.02-113P	000M660A113	124 zł
14	Structural black	GS.02-114P	000M660A114	124 zł
15	Dark str. graphite	GS.02-115P	000M660A115	124 zł
19	Structural white	GS.02-119P	000M660A119	124 zł
21	Matt white	GS.02-121P	000M660A121	124 zł
24	Matt black	GS.02-124P	000M660A124	124 zł

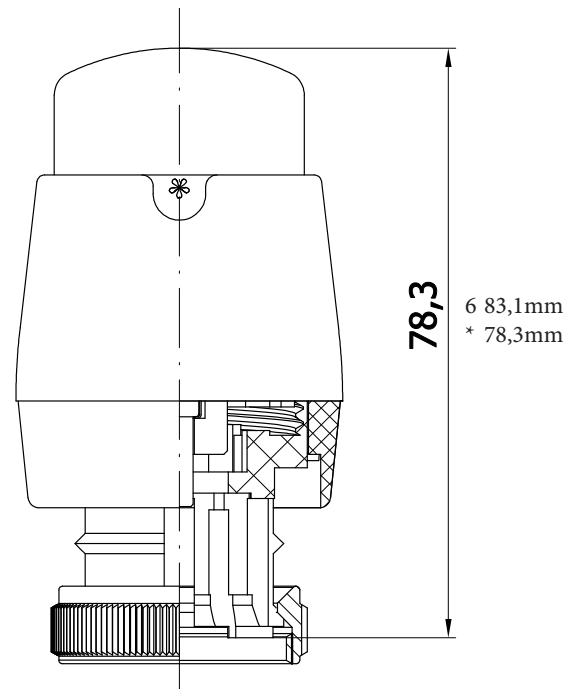
Colors with delivery time 4-6 weeks

No	Color	Type	Catalog number	Price
03	Satin	GS.02-103P	000M660A103	130 zł
08	Nickel-grinded	GS.02-108P	000M660A108	130 zł
10	Dark sand structural	GS.02-110P	000M660A110	124 zł
11	Antique brass	GS.02-111P	000M660A111	130 zł
17	Gray metallic	GS.02-117P	000M660A117	124 zł

The thermostatic head can be equipped with an anti-theft protection. In order to receive an offer, please contact the Vario Term Export Department.

PICCO THERMOSTATIC HEADS

GS.03 (standard RTD)



Designed for Danfoss RTD valves and RTD thermostatic inserts.

Colors with delivery time 1-7 days

No	Color	Type	Catalog number	Price
01	White-Chrome	GS.03-101P	000M661A101	68 zł
02	Chrome	GS.03-102P	000M661A102	116 zł
05	Structural graphite	GS.03-105P	000M661A105	124 zł
06	White	GS.03-106P	000M661A106	68 zł
07	Glossy anth./Graph.	GS.03-107P	000M661A107	124 zł
12	Metallic graphite	GS.03-112P	000M661A112	124 zł
13	Glossy black	GS.03-113P	000M661A113	124 zł
14	Structural black	GS.03-114P	000M661A114	124 zł
15	Dark str. graphite	GS.03-115P	000M661A115	124 zł
19	Structural white	GS.03-119P	000M661A119	124 zł
21	Matt white	GS.03-121P	000M661A121	124 zł
24	Matt black	GS.03-124P	000M661A124	124 zł

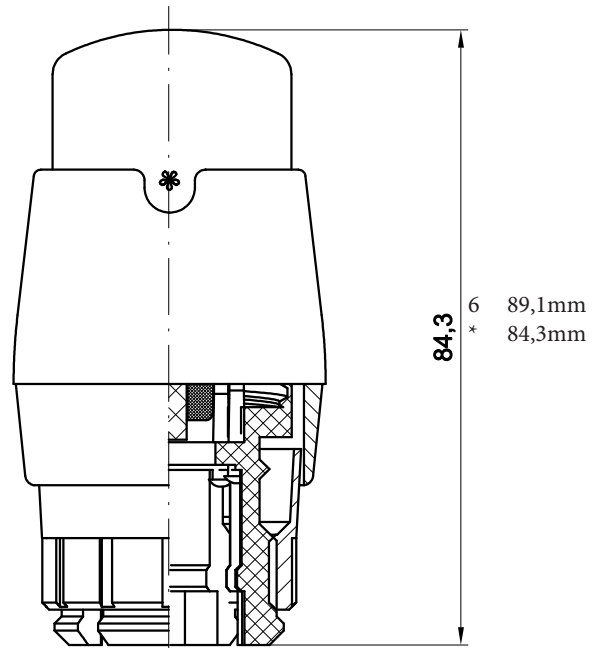
Colors with delivery time 4-6 weeks

No	Color	Type	Catalog number	Price
03	Satin	GS.03-103P	000M661A103	130 zł
08	Nickel-grinded	GS.03-108P	000M661A108	130 zł
10	Dark sand structural	GS.03-110P	000M661A110	124 zł
11	Antique brass	GS.03-111P	000M661A111	130 zł
17	Gray metallic	GS.03-117P	000M661A117	124 zł

The thermostatic head can be equipped with an anti-theft protection. In order to receive an offer, please contact the Vario Term Export Department.

PICCO THERMOSTATIC HEADS

GS.04 (standard Click, RA-N)



Designed for Click valve inserts from: Oventrop, Danfoss, Brugman and Danfoss RA-N (Click) thermostatic valves.

Colors with delivery time 1-7 days

No	Color	Type	Catalog number	Price
01	White-Chrome	GS.04-101P	000M662A101	77 zł
02	Chrome	GS.04-102P	000M662A102	132 zł
05	Structural graphite	GS.04-105P	000M662A105	140 zł
06	White	GS.04-106P	000M662A106	77 zł
07	Glossy anth./Graph.	GS.04-107P	000M662A107	140 zł
12	Metallic graphite	GS.04-112P	000M662A112	140 zł
13	Glossy black	GS.04-113P	000M662A113	140 zł
14	Structural black	GS.04-114P	000M662A114	140 zł
15	Dark str. graphite	GS.04-115P	000M662A115	140 zł
19	Structural white	GS.04-119P	000M662A119	140 zł
21	Matt white	GS.04-121P	000M662A121	140 zł
24	Matt black	GS.04-124P	000M662A124	140 zł

Colors with delivery time 4-6 weeks

No	Color	Type	Catalog number	Price
03	Satin	GS.04-103P	000M662A103	147 zł
08	Nickel-grinded	GS.04-108P	000M662A108	147 zł
10	Dark sand structural	GS.04-110P	000M662A110	140 zł
11	Antique brass	GS.04-111P	000M662A111	147 zł
17	Gray metallic	GS.04-117P	000M662A117	140 zł

The thermostatic head can be equipped with an anti-theft protection. In order to receive an offer, please contact the Vario Term Export Department.

PRESTIGE THERMOSTATIC HEADS

Thermostatic head meets requirements of PN-EN 215:2020-01 norm

Technical data:

Range	8°C – 30°C* (16°C - 30°C)
Maximum external temperature	50°C
Closure time	16 min.
Pressure difference impact	< 1K
Hysteresis	0,3K
Heating factor temperature impact	1,23K



Application:

The „Prestige“ thermostatic head is a radiator temperature controller with an economical design. It allows you to maintain the desired thermal comfort in the room while taking into account heat gains from other sources, such as heat gain from people, lighting, and sun exposure. Due to its design, it guarantees easy cleaning, which makes it irreplaceable in hospital, sanatorium, school, etc.

Characteristics:

- Reliable fluid sensor
- Regulating knob with digital marking
- Protection from freezing function (8°C on a setting marked with *)
- Main body made of high quality plastic and aluminum

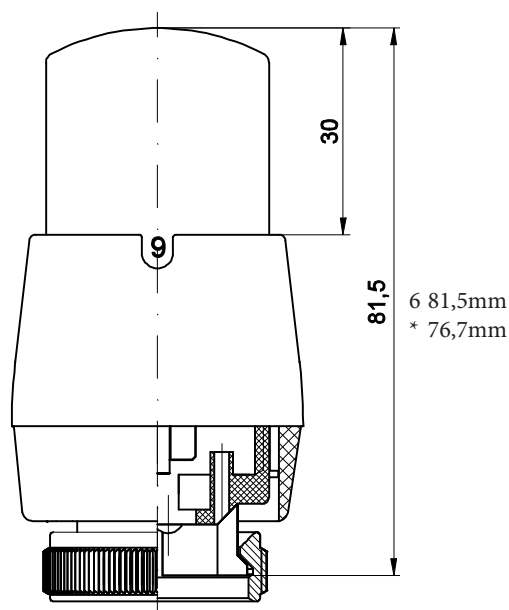
Regulation scale corresponding to the following temperature:

•	1	2	3	4	5	6
8°C	12°	16°	20°	24°C	28°	30°C

* For your wish the regulation scope of thermostatic head can be limited by production process in the ranges from 8°C to 12°C and from 16°C to 30°C.

PRESTIGE THERMOSTATIC HEADS

GS.02 (thread M30x1,5)



Designed for thermostatic valves by Vario Term, Heimeier and others (M30x1,5 connecting thread), inserts of Heimeier standard.

Colors with delivery time 1-7 days

No	Color	Type	Catalog number	Price
01	White-Chrome	GS.02-01C	000M636A001	53 zł
02	Chrome	GS.02-02C	000M636A002	101 zł
05	Structural graphite	GS.02-05C	000M636A005	109 zł
06	White	GS.02-06C	000M636A006	52 zł
07	Glossy anth./Graph.	GS.02-07C	000M636A007	109 zł
12	Metallic graphite	GS.02-12C	000M636A012	109 zł
13	Glossy black	GS.02-13C	000M636A013	109 zł
14	Structural black	GS.02-14C	000M636A014	109 zł
15	Dark str. graphite	GS.02-15C	000M636A015	109 zł
19	Structural white	GS.02-19C	000M636A019	109 zł
21	Matt white	GS.02-21C	000M636A021	109 zł
24	Matt black	GS.02-24C	000M636A024	109 zł

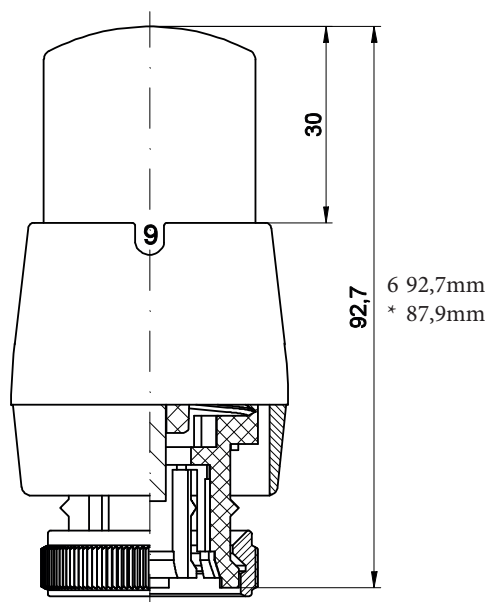
Colors with delivery time 4-6 weeks

No	Color	Type	Catalog number	Price
03	Satin	GS.02-03C	000M636A003	115 zł
08	Nickel-grinded	GS.02-08C	000M636A008	115 zł
10	Dark sand structural	GS.02-10C	000M636A010	109 zł
11	Antique brass	GS.02-11C	000M636A011	115 zł
17	Gray metallic	GS.02-17C	000M636A017	109 zł

The thermostatic head can be equipped with an anti-theft protection. In order to receive an offer, please contact the Vario Term Export Department.

PRESTIGE THERMOSTATIC HEADS

GS.03 (standard RTD)



Designed for thermostatic valves and inserts by Danfoss in the RTD standard.

Colors with delivery time 1-7 days

No	Color	Type	Catalog number	Price
01	White-Chrome	GS.03-01C	000M637A001	53 zł
02	Chrome	GS.03-02C	000M637A002	101 zł
05	Structural graphite	GS.03-05C	000M637A005	109 zł
06	White	GS.03-06C	000M637A006	52 zł
07	Glossy anth./Graph.	GS.03-07C	000M637A007	109 zł
12	Metallic graphite	GS.03-12C	000M637A012	109 zł
13	Glossy black	GS.03-13C	000M637A013	109 zł
14	Structural black	GS.03-14C	000M637A014	109 zł
15	Dark str. graphite	GS.03-15C	000M637A015	109 zł
19	Structural white	GS.03-19C	000M637A019	109 zł
21	Matt white	GS.03-21C	000M637A021	109 zł
24	Matt black	GS.03-24C	000M637A024	109 zł

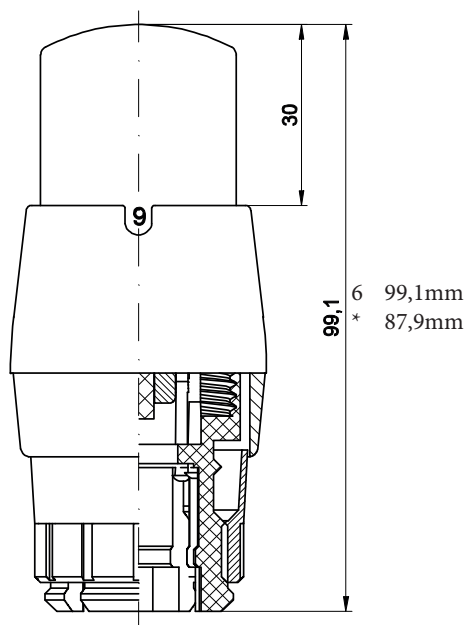
Colors with delivery time 4-6 weeks

No	Color	Type	Catalog number	Price
03	Satin	GS.03-03C	000M637A003	115 zł
08	Nickel-grinded	GS.03-08C	000M637A008	115 zł
10	Dark sand structural	GS.03-10C	000M637A010	109 zł
11	Antique brass	GS.03-11C	000M637A011	115 zł
17	Gray metallic	GS.03-17C	000M637A017	109 zł

The thermostatic head can be equipped with an anti-theft protection. In order to receive an offer, please contact the Vario Term Export Department.

PRESTIGE THERMOSTATIC HEADS

GS.04 (standard Click, RA-N)



Designed for valve inserts Oventrop, Danfoss, Brugman, Perfexim with RA-N connection and thermostatic valves Danfoss (click).

Colors with delivery time 1-7 days

No	Color	Type	Catalog number	Price
01	White-Chrome	GS.04-101C	000M638A101	60 zł
02	Chrome	GS.04-102C	000M638A102	115 zł
05	Structural graphite	GS.04-105C	000M638A105	123 zł
06	White	GS.04-106C	000M638A106	59 zł
07	Glossy anth./Graph.	GS.04-107C	000M638A107	123 zł
12	Metallic graphite	GS.04-112C	000M638A112	123 zł
13	Glossy black	GS.04-113C	000M638A113	123 zł
14	Structural black	GS.04-114C	000M638A114	123 zł
15	Dark str. graphite	GS.04-115C	000M638A115	123 zł
19	Structural white	GS.04-119C	000M638A119	123 zł
21	Matt white	GS.04-121C	000M638A121	123 zł
24	Matt black	GS.04-124C	000M638A124	123 zł

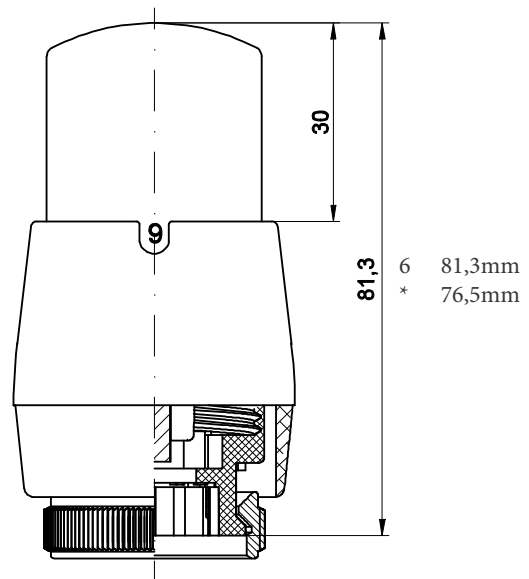
Colors with delivery time 4-6 weeks

No	Color	Type	Catalog number	Price
03	Satin	GS.04-103C	000M638A103	130 zł
08	Nickel-grinded	GS.04-108C	000M638A108	130 zł
10	Dark sand structural	GS.04-110C	000M638A110	123 zł
11	Antique brass	GS.04-111C	000M638A111	130 zł
17	Gray metallic	GS.04-117C	000M638A117	123 zł

The thermostatic head can be equipped with an anti-theft protection. In order to receive an offer, please contact the Vario Term Export Department.

PRESTIGE THERMOSTATIC HEADS

GHe.01 (thread M28x1,5)



Designed for thermostatic valves by Herz and inserts with thread M28x1,5.

Colors with delivery time 1-7 days

No	Color	Type	Catalog number	Price
01	White-Chrome	GHe.01-01C	000M641A001	53 zł
02	Chrome	GHe.01-02C	000M641A002	101 zł
05	Structural graphite	GHe.01-05C	000M641A005	109 zł
06	White	GHe.01-06C	000M641A006	52 zł
07	Glossy anth./Graph.	GHe.01-07C	000M641A007	109 zł
12	Metallic graphite	GHe.01-12C	000M641A012	109 zł
13	Glossy black	GHe.01-13C	000M641A013	109 zł
14	Structural black	GHe.01-14C	000M641A014	109 zł
15	Dark str. graphite	GHe.01-15C	000M641A015	109 zł
19	Structural white	GHe.01-19C	000M641A019	109 zł
21	Matt white	GHe.01-21C	000M641A021	109 zł
24	Matt black	GHe.01-24C	000M641A024	109 zł

Colors with delivery time 4-6 weeks

No	Color	Type	Catalog number	Price
03	Satin	GHe.01-03C	000M641A003	115 zł
08	Nickel-grinded	GHe.01-08C	000M641A008	115 zł
10	Dark sand structural	GHe.01-10C	000M641A010	109 zł
11	Antique brass	GHe.01-11C	000M641A011	115 zł
17	Gray metallic	GHe.01-17C	000M641A017	109 zł

The thermostatic head can be equipped with an anti-theft protection. In order to receive an offer, please contact the Vario Term Export Department.

COLOR

We are able to manufacture our heads and valves in virtually any color version.

Currently on the sanitary installation market there are more and more color variations of decorative radiators.

We strive to be flexible to meet the expectations of our clients.

We are constantly looking for new shapes and colors for our products.



**WE PAINT IN THE COLOR
OF YOUR RADIATOR**

TUCAN THERMOSTATIC HEADS

Thermostatic head meets requirements of PN-EN 215:2020-01 norm

Technical data:

Range	6°C – 32°C* (16°C – 32°C)
Maximum external temperature	50°C
Closure time	16 min.
Pressure difference impact	< 1K
Hysteresis	0,3K
Heating factor temperature impact	1,23K



Application:

The „Tucan” thermostatic head is a heater temperature controller with a modern, ergonomic shape. It allows you to maintain the desired thermal comfort in the room while taking into account heat gains from other sources, e.g. heat gain from people, lighting, sunlight. Due to its design, it is easy to keep clean, which makes it irreplaceable in rooms, etc.

Characteristics:

- Reliable liquid sensor
- Control knob with numerical marking
- System frost protection function (6°C on „*” setting)
- Body made of high-quality plastic
- Facilitating the cleanliness of the „Tucan” thermostatic head
- Setting the temperature setpoint is intuitive
- The head design is helpful for people with different sensory performance due to the a characteristic „click” on the given settings

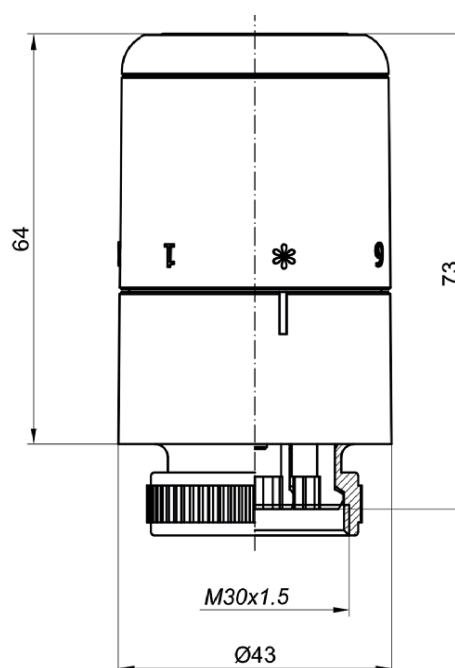
Regulation scale corresponding to the following temperature:

•	1	2	3	4	5	6
6°C	12°	16°	20°	24°C	28°	32°C

* For your wish the regulation scope of thermostatic head can be limited by production process in the ranges from 6°C to 12°C and from 16°C to 30°C.

TUCAN THERMOSTATIC HEADS

GS.10 (thread M30x1,5)



Designed for thermostatic valves of the following companies: Vario Term, Heimeier and others (thread M30x1,5 - valve inserts in Heimeier standard).

Colors with delivery time 1-7 days

No	Color	Type	Catalog number	Price
01	White-Chrome	GS.10-101C	000M665A101	131 zł
02	Chrome	GS.10-102C	000M665A102	131 zł
05	Structural graphite	GS.10-105C	000M665A105	131 zł
06	White	GS.10-106C	000M665A106	131 zł
07	Glossy anth./Graph.	GS.10-107C	000M665A107	131 zł
12	Metallic graphite	GS.10-112C	000M665A112	131 zł
13	Glossy black	GS.10-113C	000M665A113	131 zł
14	Structural black	GS.10-114C	000M665A114	131 zł
15	Dark str. graphite	GS.10-115C	000M665A115	131 zł
19	Structural white	GS.10-119C	000M665A119	131 zł
21	Matt white	GS.10-121C	000M665A121	131 zł
24	Matt black	GS.10-124C	000M665A124	131 zł

Colors with delivery time 4-6 weeks

No	Color	Type	Catalog number	Price
03	Satin	GS.10-103C	000M665A103	139 zł
08	Nickel-grinded	GS.10-108C	000M665A108	139 zł
10	Dark sand structural	GS.10-110C	000M665A110	131 zł
11	Antique brass	GS.10-111C	000M665A111	139 zł
17	Gray metallic	GS.10-117C	000M665A117	131 zł

The thermostatic head can be equipped with an anti-theft protection. In order to receive an offer, please contact the Vario Term Export Department.

HEADS WITH A FORGING SENSOR

CONTACT



The CONTACT thermostatic head is designed for cooperation with radiator valves and valve inserts with M30x1,5 connection. The temperature measurement element (sensor) is located outside the regulating part, and their connection is made through a special capillary.

Thermostatic head Contact is used for underfloor heating.

Color	Catalog number	Price
White	000M657A006	161 zł

Technical data:

Range	25°C – 70°C
Closure time	16 min.
Pressure difference impact	< 1K
The length of the capillary	2 meters

Application:

The CONTACT thermostatic head is a radiator temperature controller used to control the temperature of tap water, constant temperature control in the case of integrated underfloor heating systems and in air heating systems as an air temperature regulator. In the case of the use of the CONTACT type head in integrated floor heating systems, the size of the heated surface depends on the thermostatic valve and the size of its flow.

The temperature measurement element (sensor) is located outside the regulating part, and their connection is made through a special capillary.

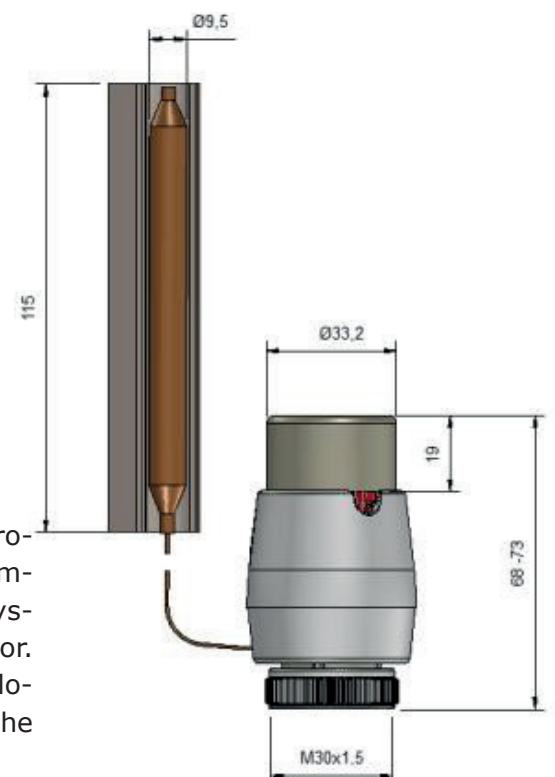
The CONTACT thermostatic head is designed for cooperation with radiator valves and valve inserts with M30x1,5 connection.

Assembly:

In order to ensure correct operation, the temperature measuring element (sensor) of the head should be mounted together with the luminaire, which has a high coefficient of conductivity, to the pipelines with clamps to ensure proper heat transfer.

All installation operations are carried out with the head set to the „70” setting.

The thermostatic head can be equipped with an anti-theft protection and temperature protection, e.g. from 16°C. In order to receive an offer, please contact the Vario Term Export Department.



HEADS WITH SENSOR REMOVE

DISTANT

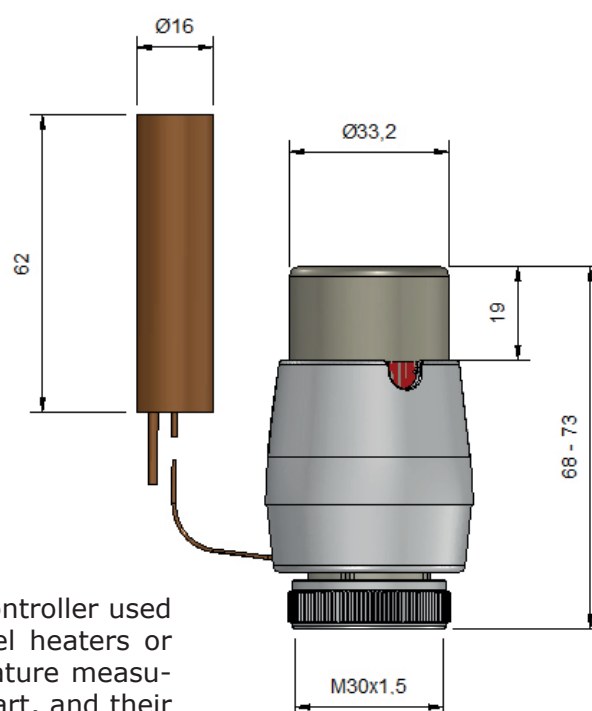
The DISTANT thermostatic head is designed for cooperation with radiator valves and valve inserts with M30x1,5 connection. The temperature measurement element (sensor) is located outside the regulating part, and their connection is made through a special capillary.



Color	Catalog number	Price
White	000M658A006	155 zł

Technical data:

Range	8°C – 30°C
Maximum external temperature	50°C
Closure time	16 min.
Pressure difference impact	< 1K
The length of the capillary	2 meters



The DISTANT thermostatic head is a radiator temperature controller used to control the temperature of rooms equipped with channel heaters or when the heating device is built-in or covered. The temperature measurement element (sensor) is located outside the regulating part, and their connection is made through a special capillary.

The DISTANT thermostatic head is designed for cooperation with radiator valves and valve inserts with M30x1,5 connection.

Assembly:

In order to ensure correct operation, the temperature measurement element (sensor) of the head should be mounted on the interior wall of the room in such a way as to allow free air flow around the sensor.

The head is mounted in a vertical position, and all installation operations are carried out with the head set to the „6” setting.

Recommendations:

After the heating season, it is recommended to set the thermostatic head to the „6” setting.

Regulation scale corresponding to the following temperature:

•	1	2	3	4	5	6
8°C	12°	16°	20°	24°C	28°	30°C

RADIATOR VALVES

Technical data	
Work temperature	max. 120°C
Working pressure	max. 1 bar
Pressure difference	0,06 MPa
Assembly thread	M30x1,5



Application:

Thermostatic valves SFP15 (straight) and SFK15 (angular) are designed for installation in central heating systems with forced heating factor circuit which temperature should not exceed 393K (120°C) and pressure differences should not exceed 0.06 MPa.

Basic design features:

The valve has 8 regulating flow settings marked on the setting ring (key KN-01) with numbers from 1 to 7 and letters PP (full flow). There is a possibility of so called between settings, which are between the numbers 1-7. The setting can be changed when a suitable number on the key is set towards a sign (groove) on the main body of the valve.

Sizes according to PN-EN 215 Annex A (Table A.2 - Series F)

The management system operating in Vario Term in the production of thermostatic heads is compliant with ISO 9001 and is certified by a SGS certificate.

We give a 3-year warranty on thermostatic heads.

RADIATOR VALVES

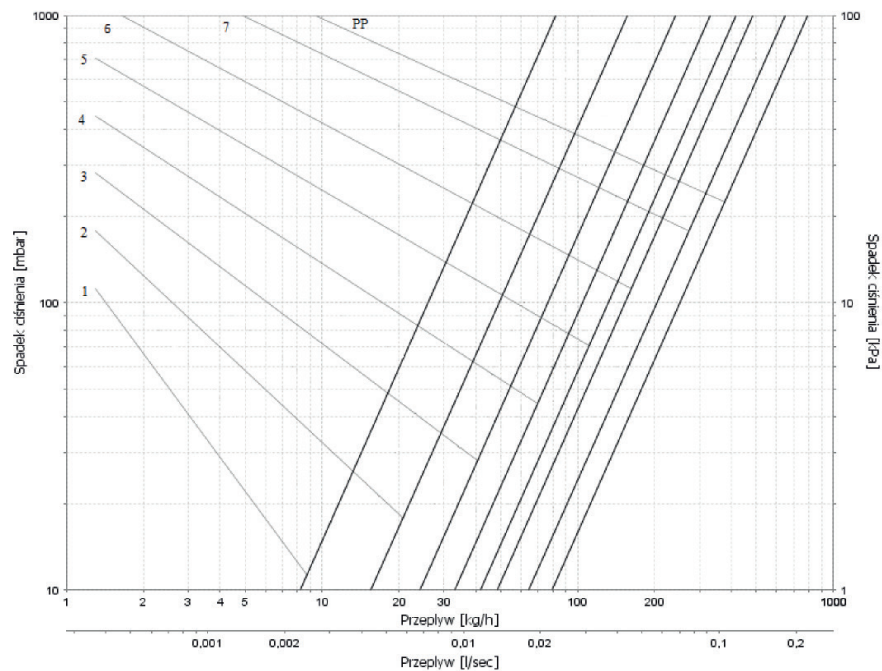
The initial setting and the corresponding values of KV flow coefficients

For SFP15 / SFK15 (Kv [m³/h] – calculation (nominal) flow factor)

PP- full flow

All valves have 8 pre-set flow adjustments.

It is possible to order special screw connections, longer than the nominal value by 5, 10 and 15 mm (important when renovating old installations).



Initial setting

Setting	1	2	3	4	5	6	7	PP
Kv	0,08	0,15	0,24	0,32	0,41	0,48	0,64	0,79
Tolerance	±10%							

For SFP10 (Kv [m³/h] – calculation (nominal) flow factor)

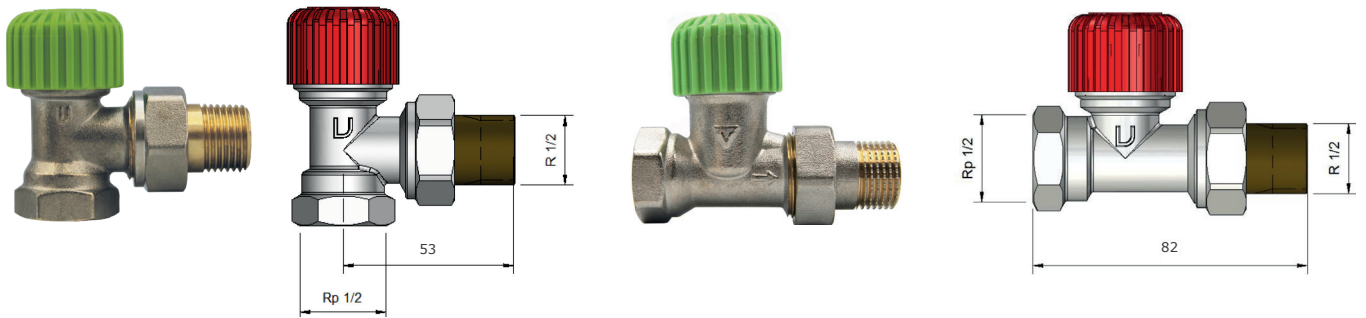
Initial setting

Setting	1	2	3	4	5	6	7	PP
Kv	0,04	0,08	0,11	0,14	0,18	0,24	0,44	0,58
Tolerance	±10%							

Max. permissible temperature of heating water	393K (120°C)
Hysteresis	0,3K
Pressure difference impact	< 1K
Heating water temperature impact	1,23K
Closure time	16 min.
Thermostatic head's resistance to overheating	313K (40°C)
Transportation temperature	253 K ÷ 313 K (-20° ÷ +40°C)

RADIATOR VALVES

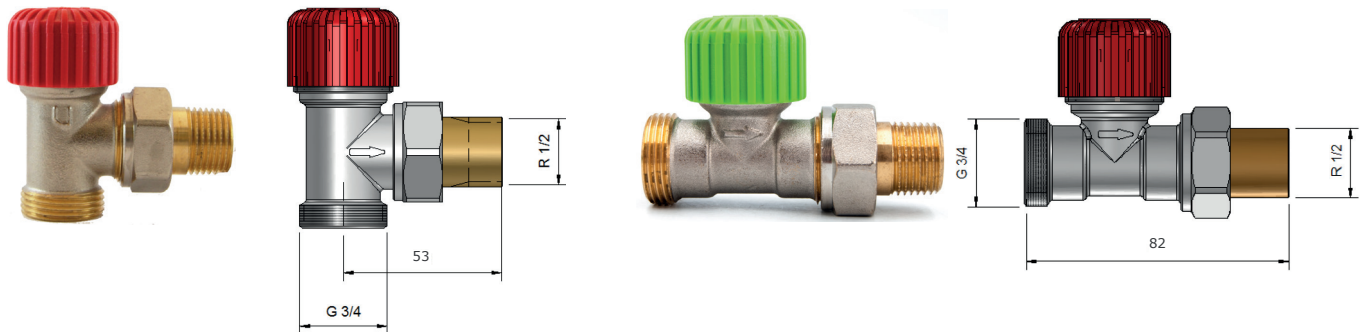
SFP15 / SFK15, 1/2"x1/2"



Straight „SFP 15” or angular „SFK 15” thermostatic valve bodies. GW 1/2 ”/ GZ 1/2”, mounting thread of thermostatic head M30x1,5. It has a pre-setting. The KN-01 setting key is included.

Color	Type	Catalog number	Price
Nickel	Straight	000M751A001	57 zł
Nickel	Angular	000M752A001	57 zł

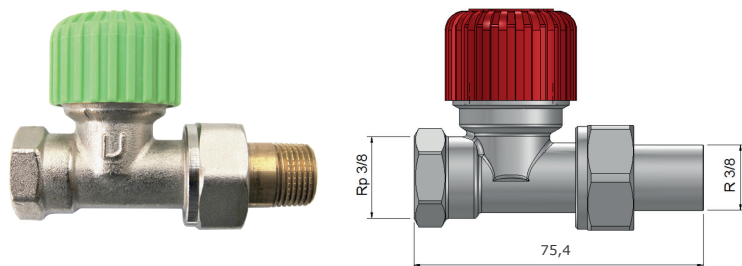
SFP / SFK (on PEX or Cu), 1/2"x3/4"



Straight „SFP” or angular „SFK” thermostatic valve bodies. GZ 1/2 ”/ GZ 3/4”, mounting thread of thermostatic head M30x1,5. It has an output for PEX / Cu adapters (connectors are not included in the price of the valve).

Color	Type	Catalog number	Price
Nickel	Straight	000M755A001	56 zł
Nickel	Angular	000M756A001	56 zł

SFP10, 3/8"x3/8"

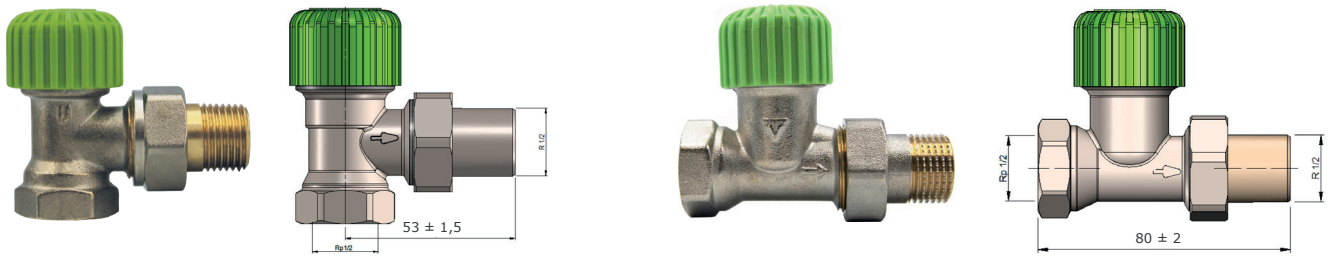


Straight thermostatic valve „SFP10”, economical, mounting thread of thermostatic head M30x1.5. GW 3/8 ”/ GZ 3/8”. It has a pre-setting. The KN-01 setting key is included.

Color	Type	Catalog number	Price
Nickel	Straight	000M749A001	57 zł

RADIATOR VALVES

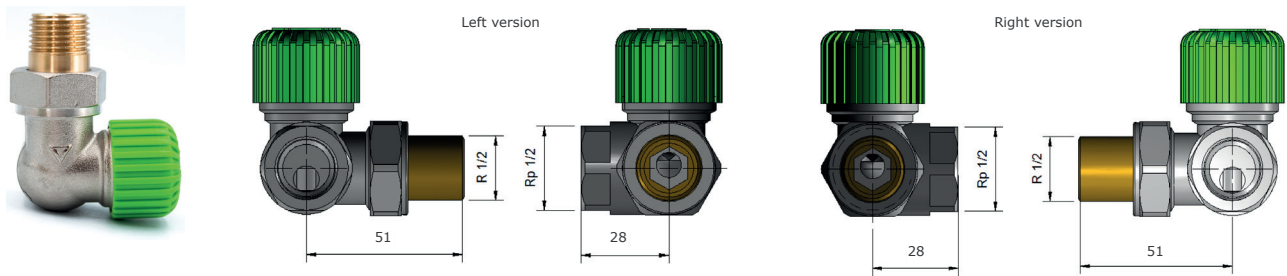
EFP / EFK, 1/2"x1/2"



Angular thermostatic valve „EFK” or straight „EFP”, economical, mounting thread of thermostatic head M30x1.5. GW 1/2” / GZ 1/2”. It has a pre-setting. It is carried out with a flat spanner (the setting values are printed on the valve insert).

Color	Type	Catalog number	Price
Nickel	Straight	000M753A001	46 zł
Nickel	Angular	000M754A001	46 zł

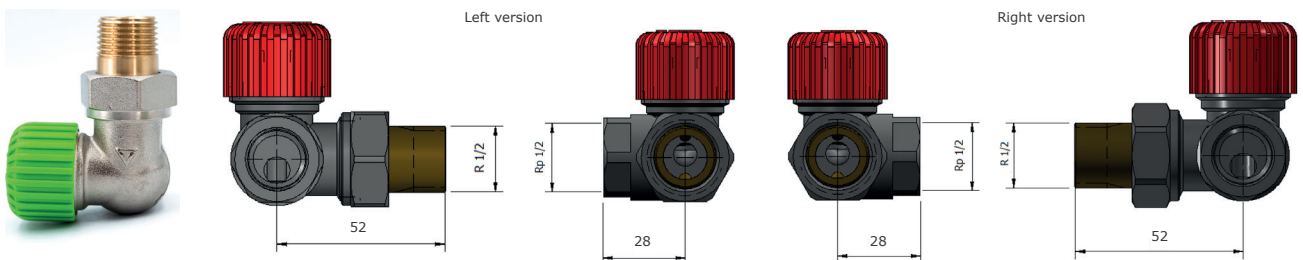
ARCUS, 1/2"x1/2"



Arcus thermostatic valve, axial left or right. GW 1/2” / GZ 1/2”, mounting thread of thermostatic head M30x1.5. Economical version. Without pre-setting.

Color	Type	Catalog number	Price
Nickel	Straight	000M772A101	62 zł
Nickel	Angular	000M773A101	62 zł

MASTER, 1/2"x1/2"



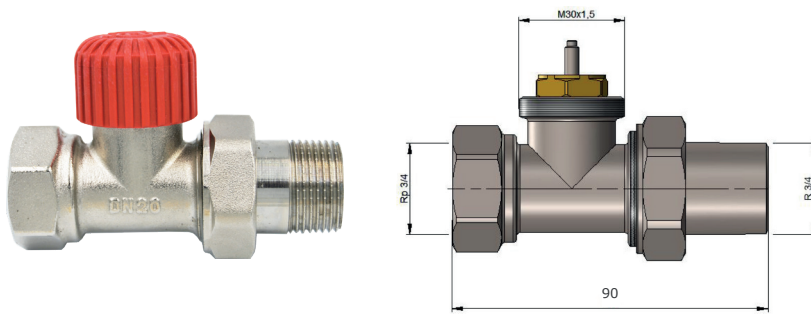
Master thermostatic valve, axial left or right. GW 1/2” / GZ 1/2”, mounting thread of thermostatic head M30x1.5.

Economical version. It has a pre-setting. The KN-01 setting key is included.

Color	Type	Catalog number	Price
Nickel	Straight	000M772A001	66 zł
Nickel	Angular	000M773A001	66 zł

RADIATOR VALVES

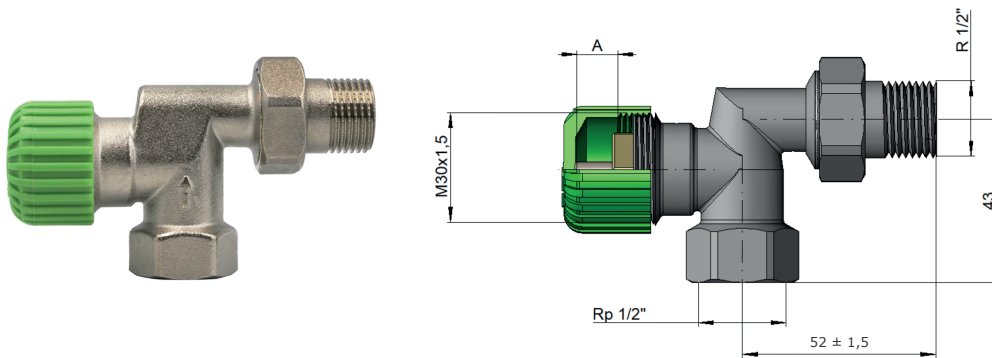
FP20, 3/4" x 3/4"



„FP20” thermostatic valve, straight. Mounting thread of thermostatic head M30x1.5. Without pre-setting.

Color	Type	Catalog number	Price
Nickel	Straight	000M621A002	90 zł

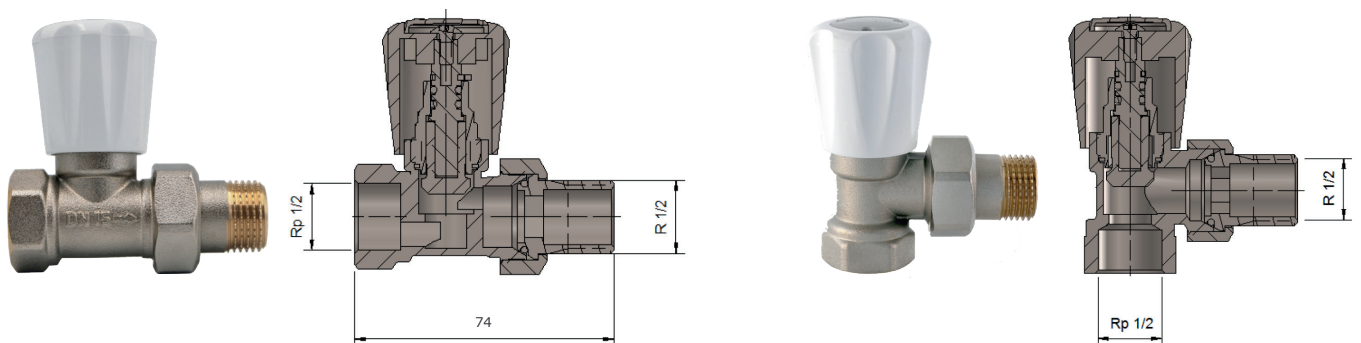
AXI, 1/2" x 1/2"



„Axi” axial thermostatic valve GW 1/2" / GZ 1/2", designed for side-powered heaters. It enables the head to be directed parallel to the radiator. Mounting thread of thermostatic head M30x1.5. Without pre-setting.

Color	Type	Catalog number	Price
Nickel	Axial	02.13.01	56 zł

SWING 2, 1/2" x 1/2"

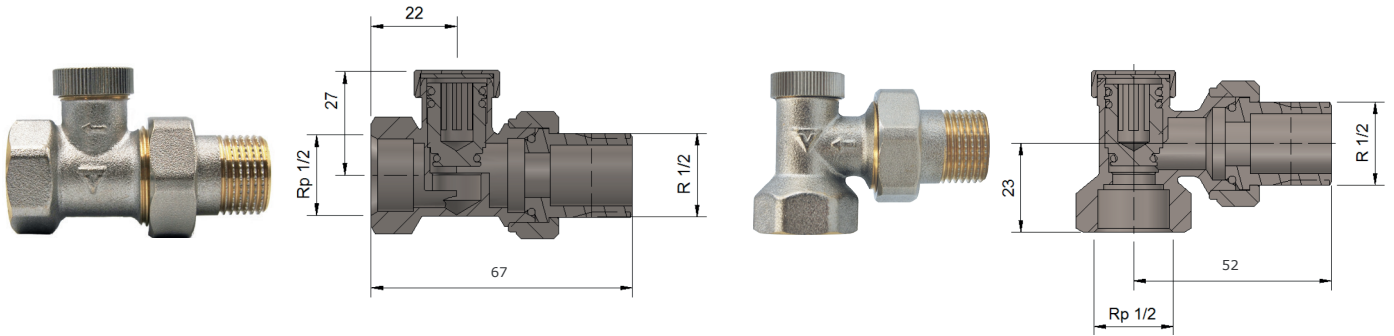


„Swing 2” control valve, angular or straight. Large flow diameter. GW 1/2" / GZ 1/2". Regulating knob protected with a plastic cover.

Color	Type	Catalog number	Price
Nickel	Straight	000M869A0001	33 zł
Nickel	Angular	000M870A0001	33 zł

RADIATOR VALVES

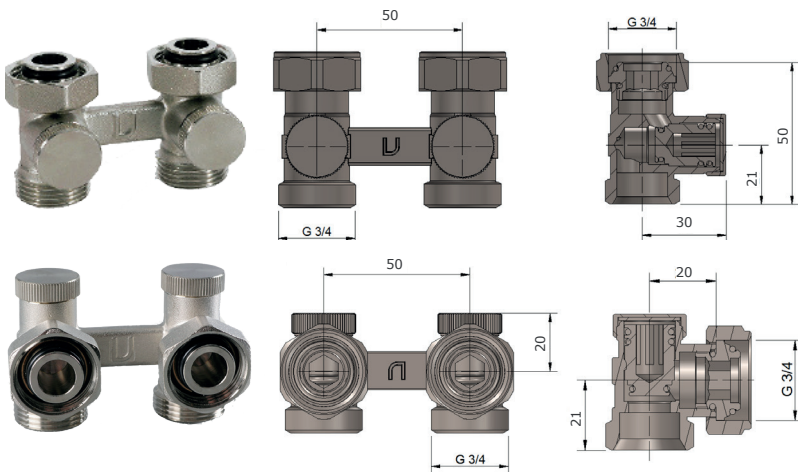
FP / FK, 1/2"x1/2"



Straight „FP” or angle „FK” shut-off valve. GW 1/2” / GZ 1/2”.

Color	Type	Catalog number	Price
Nickel	Straight	000M869A002	22 zł
Nickel	Angular	000M870A002	22 zł

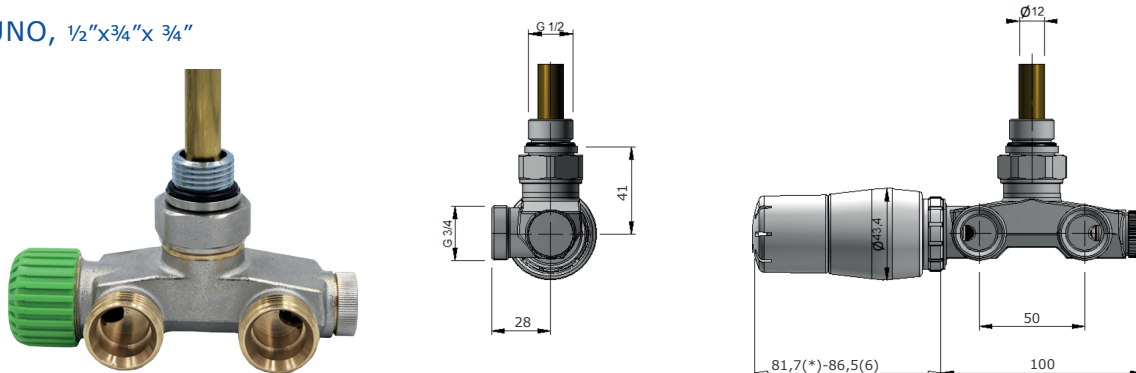
TYPU V, 3/4"x 3/4"



„Type V” two-pipe connection valve GW 3/4” / GZ 3/4”, Angular or Straight. Connection distance 50mm.

Color	Type	Nipples	Catalog number	Price
Nickel	Straight	-	000M856A001	52 zł
Nickel	Straight	+	000M856A001(NY)	60 zł
Nickel	Angular	-	000M855A001	52 zł
Nickel	Angular	+	000M855A001(NY)	60 zł

UNO, 1/2"x3/4"x 3/4"



UNO connection, right. GZ 1/2” / GZ 3/4” x GZ 3/4”. Connection distance 50mm. The economic version. The valve has a dip tube. The setting is regulated by a return valve.

Color	Type	Catalog number	Price
Nickel	Right	000M858A001	166 zł

ECONOMIC SETS

ECON



Name	Type	Version	Catalog number	Price
Trendy	GS.05-106C	Straight	EGS05106C/FP	98 zł
Trendy	GS.05-106C	Angular	EGS05106C/FK	98 zł
Pony	GS.10-06C	Straight	EGS1006C/FP	102 zł
Pony	GS.10-06C	Angular	EGS1006C/FK	102 zł
Venus II	GS.09-106C	Straight	EGS09106C/FP	110 zł
Venus II	GS.09-106C	Angular	EGS09106C/FK	110 zł
Prestige	GS.02-06C	Straight	EGS0206C/FP	107 zł
Prestige	GS.02-06C	Angular	EGS0206C/FK	107 zł
Prestige	GS.02-01C	Straight	EGS0201C/FP	110 zł
Prestige	GS.02-01C	Angular	EGS0201C/FK	110 zł

„Econ” thermostatic set, angular or straight version, GW ½” / GZ ½”.

The set includes:

- 1x thermostatic valve „EFK” or „EFP”,
- 1x shut-off valve „FK” or „FP”,
- 1x thermostatic head „Trendy” or „Pony” or „Venus II” or „Prestige”,
- 2x masking rosette Ø25 mm.

The valve is equipped with an economic pre-setting.

ARCUS



Name	Type	Version	Catalog number	Price
Trendy	GS.05-106C	Left	ARGS05106C/L	127 zł
Trendy	GS.05-106C	Right	ARGS05106C/P	127 zł
Pony	GS.10-06C	Left	ARGS1006C/L	131 zł
Pony	GS.10-06C	Right	ARGS1006C/P	131 zł
Venus II	GS.09-106C	Left	ARGS09106C/L	136 zł
Venus II	GS.09-106C	Right	ARGS09106C/P	136 zł
Prestige	GS.02-06C	Left	ARGS0206C/L	135 zł
Prestige	GS.02-06C	Right	ARGS0206C/P	135 zł
Prestige	GS.02-01C	Left	ARGS0201C/L	136 zł
Prestige	GS.02-01C	Right	ARGS0201C/P	136 zł

„Arcus” thermostatic set, axial left or right version, GW ½” / GZ ½”.

The set includes:

- 1x „Arcus” thermostatic valve,
- 1x shut-off valve „FK” or „FP”,
- 1x thermostatic head „Trendy” or „Pony” or „Venus II” or „Prestige”,
- 2x masking rosette Ø25 mm.



FREE MASKING ROSETTES FOR EACH SET!

AXI ECONOMICAL



Name	Type	Version	Catalog number	Price
Trendy	GS.05-106C	Axial	AXIGS05106C	134 zł
Pony	GS.10-06C	Axial	AXIGS1006C	138 zł
Venus II	GS.09-106C	Axial	AXIGS09106C	145 zł
Prestige	GS.02-06C	Axial	AXIGS0206C	144 zł
Prestige	GS.02-01C	Axial	AXIGS0201C	145 zł

„Axi Economical” thermostatic set, Axial version, GW ½” / GZ ½”.

The set includes:

- 1x „Axi” radiator valve,
- 1x shut-off valve „FK”,
- 1x thermostatic head „Trendy” or „Pony” or „Venus II” or „Prestige”,
- 2x masking rosette Ø25 mm.

SWING 2



Color	Version	Catalog number	Price
Nickel	Angular	ZI00/RFK	47 zł
Nickel	Straight	ZI00/RFP	47 zł

„Swing 2” adjustment set Angular or straight version GW ½” / GZ ½”.

The set includes:

- 1x „EFK” or „EFP” radiator valve,
- 1x „FK” or „FP” shut-off valve,
- 2x masking rosette Ø25 mm.

SIMPLE



Color	Version	Catalog number	Price
Nickel	Angular	SI00/EFK	66 zł
Nickel	Straight	SI00/EFP	66 zł

„Simple” regulating set, angular or straight version GW ½” / GZ ½”.

The set includes:

- 1x „EFK” or „EFP” radiator valve,
- 1x „FK” or „FP” shut-off valve,
- 2x masking rosette Ø25 mm.

The set includes a knob for manual regulation of the thermostatic valve. If necessary, the knob can be unscrewed and in its place you can screw one of the thermostatic heads with the appropriate approach.

STANDARD SETS

STANDARD



Name	Type	Version	Catalog number	Price
Trendy	GS.05-106C	Straight	STGS05106C/FP	121 zł
Trendy	GS.05-106C	Angular	STGS05106C/FK	121 zł
Pony	GS.10-06C	Straight	STGS1006C/FP	126 zł
Pony	GS.10-06C	Angular	STGS1006C/FK	126 zł
Venus II	GS.09-106C	Straight	STGS09106C/FP	134 zł
Venus II	GS.09-106C	Angular	STGS09106C/FK	134 zł
Prestige	GS.02-06C	Straight	STGS0206C/FP	131 zł
Prestige	GS.02-06C	Angular	STGS0206C/FK	131 zł
Prestige	GS.02-01C	Straight	STGS0201C/FP	134 zł
Prestige	GS.02-01C	Angular	STGS0201C/FK	134 zł

„Standard” thermostatic set, angular or straight version, GW ½” / MZ ½”.

The set includes:

- 1x thermostatic valve „SFK 15” or „SFP 15”,
- 1x shut-off valve „FK” or „FP”,
- 1x thermostatic head „Pony” or „Trendy” or „Venus II” or „Prestige”
- 2x masking rosette Ø25 mm.

The valve is equipped with a pre-setting.

MASTER



Name	Type	Version	Catalog number	Price
Trendy	GS.05-106C	Left	MAGS05106C/L	131 zł
Trendy	GS.05-106C	Right	MAGS05106C/P	131 zł
Pony	GS.10-06C	Left	MAGS1006C/L	136 zł
Pony	GS.10-06C	Right	MAGS1006C/P	136 zł
Venus II	GS.09-106C	Left	MAGS09106C/L	139 zł
Venus II	GS.09-106C	Right	MAGS09106C/P	139 zł
Prestige	GS.02-06C	Left	MAGS0206C/L	138 zł
Prestige	GS.02-06C	Right	MAGS0206C/P	138 zł
Prestige	GS.02-01C	Left	MAGS0201C/L	139 zł
Prestige	GS.02-01C	Right	MAGS0201C/P	139 zł

„Master” thermostatic set, axial version left or right, GW ½” / GZ ½”.

The set includes:

- 1x thermostatic valve „Master”,
- 1x shut-off valve „FK”,
- 1x thermostatic head „Pony” or „Trendy” or „Venus II” or „Prestige”,
- 2x masking rosette Ø25 mm.

The valve is equipped with a pre-setting.



FREE MASKING ROSETTES FOR EACH SET!

STANDARD SETS

VERSO



Name	Type	Version	Catalog number	Price
Trendy	GS.05-106C	Left	VEGS05106CFK/L	163 zł
Trendy	GS.05-106C	Right	VEGS05106CFK/P	163 zł
Pony	GS.10-06C	Left	VEGS1006CFK/L	167 zł
Pony	GS.10-06C	Right	VEGS1006CFK/P	167 zł
Venus II	GS.09-106C	Left	VEGS09106CFK/L	173 zł
Venus II	GS.09-106C	Right	VEGS09106CFK/P	173 zł
Prestige	GS.02-01C	Left	VEGS0201CFK/L	173 zł
Prestige	GS.02-01C	Right	VEGS0201CFK/P	173 zł
Prestige	GS.02-06C	Left	VEGS0206CFK/L	173 zł
Prestige	GS.02-06C	Right	VEGS0206CFK/P	173 zł

Installation set „Verso” for connection with PEX systems, Axial left or right version, GW 1/2" / GZ 1/2".



The set includes:

- 1x thermostatic valve „VERSO”,
- 1x shut-off valve „FK”,
- 1x thermostatic head „Trendy” „Pony” or „Prestige”,
- 2x 1/2" PEX connector,
- 2x masking rosette Ø25 mm.

UNO



Name	Type	Version	Catalog number	Price
Trendy	GS.05-106C	Right	UNGS05106CFK/P	207 zł
Pony	GS.10-06C	Right	UNGS1006CFK/P	212 zł
Prestige	GS.02-06C	Right	UNGS0206CFK/P	218 zł

Connection set „Uno”, Right version, GZ 1/2" / GZ 3/4" x GZ 3/4". The distance between the connections to the installation is 50 mm.

The set includes:

- 1x „Uno” connection,
- 1x dip tube,
- 1x thermostatic head „Trendy”, „Pony” or „Prestige”,
- 1x masking rosette Ø16 mm.



*FOR STANDARD SERIES SETS (EXCEPT MASTER SET *)*

IT IS POSSIBLE TO SELECT PEX COUPLINGS FOR VALVES.

WHEN ORDERING, PLEASE ADD (PEX) AT THE END OF THE CATALOG NUMBER.

EXAMPLE: STGS0201C / FK (PEX).

** CONNECTORS FOR THE MASTER SET - PAGE 78 - „GZ 1/2" x PEX TWISTED COUPLING”, THE COUPLINGS ARE INCLUDED IN THE VERSO KITS.*

STANDARD SETS

TYPE V



Name	Thread	Type	Version	Nipple	Catalog number	Price
Trendy	M30x1,5	GS.05-106C	Straight	+	PRNYGS05106C/FP	103 zł
Trendy	M30x1,5	GS.05-106C	Straight	-	PRGS05106C/FP	93 zł
Trendy	M30x1,5	GS.05-106C	Angular	+	PRNYGS05106C/FK	103 zł
Trendy	M30x1,5	GS.05-106C	Angular	-	PRGS05106C/FK	93 zł



Name	Thread	Type	Version	Nipple	Catalog number	Price
Pony	M30x1,5	GS.10-06C	Straight	+	PRNYGS1006C/FP	108 zł
Pony	M30x1,5	GS.10-06C	Straight	-	PRGS1006C/FP	98 zł
Pony	M30x1,5	GS.10-06C	Angular	+	PRNYGS1006C/FK	108 zł
Pony	M30x1,5	GS.10-06C	Angular	-	PRGS1006C/FK	98 zł



Name	Thread	Type	Version	Nipple	Catalog number	Price
Trendy	Click	GS.07-306C	Straight	+	PRNYGS07306C/FP	117 zł
Trendy	Click	GS.07-306C	Straight	-	PRGS07306C/FP	106 zł
Trendy	Click	GS.07-306C	Angular	+	PRNYGS07306C/FK	117 zł
Trendy	Click	GS.07-306C	Angular	-	PRGS07306C/FK	106 zł



Name	Thread	Type	Version	Nipple	Catalog number	Price
Venus II	M30x1,5	GS.09-106C	Straight	+	PRNYGS09106C/FP	113 zł
Venus II	M30x1,5	GS.09-106C	Straight	-	PRGS09106C/FP	103 zł
Venus II	M30x1,5	GS.09-106C	Angular	+	PRNYGS09106C/FK	113 zł
Venus II	M30x1,5	GS.09-106C	Angular	-	PRGS09106C/FK	103 zł

„Type V” thermostatic set, angular or straight version, GZ ¾” / GW ¾”. The distance between the connections to the installation is 50 mm. The valves are compatible with „Type V” radiators.

The set includes:

- 1x two-pipe connection valve „Type V”,
- 1x thermostatic head „Pony” or „Trendy” or „Venus II”,
- 2x reduction nipples (in selected sets „+”),
- 2x masking rosette Ø16 mm.

FREE MASKING ROSETTES FOR EACH SET!



TYPE V



Name	Thread	Type	Version	Nipple	Catalog number	Price
Prestige	M30x1,5	GS.02-06C	Straight	+	PRNYGS0206C/FP	110 zł
Prestige	M30x1,5	GS.02-06C	Straight	-	PRGS0206C/FP	100 zł
Prestige	M30x1,5	GS.02-06C	Angular	+	PRNYGS0206C/FK	110 zł
Prestige	M30x1,5	GS.02-06C	Angular	-	PRGS0206C/FK	100 zł



Name	Thread	Type	Version	Nipple	Catalog number	Price
Prestige	M30x1,5	GS.02-01C	Straight	+	PRNYGS0201C/FP	113 zł
Prestige	M30x1,5	GS.02-01C	Straight	-	PRGS0201C/FK	103 zł
Prestige	M30x1,5	GS.02-01C	Angular	+	PRNYGS0201C/FP	113 zł
Prestige	M30x1,5	GS.02-01C	Angular	-	PRGS0201C/FK	103 zł



Name	Thread	Type	Version	Nipple	Catalog number	Price
Prestige	Click	GS.04-106C	Straight	+	PRNYGS04106C/FP	124 zł
Prestige	Click	GS.04-106C	Straight	-	PRGS04106C/FP	113 zł
Prestige	Click	GS.04-106C	Angular	+	PRNYGS04106C/FK	124 zł
Prestige	Click	GS.04-106C	Angular	-	PRGS04106C/FK	113 zł



Name	Thread	Type	Version	Nipple	Catalog number	Price
Prestige	Click	GS.04-101C	Straight	+	PRNYGS04101C/FP	128 zł
Prestige	Click	GS.04-101C	Straight	-	PRGS04101C/FP	117 zł
Prestige	Click	GS.04-101C	Angular	+	PRNYGS04101C/FK	129 zł
Prestige	Click	GS.04-101C	Angular	-	PRGS04101C/FK	117 zł

Installation kit „Type V”, angular or straight version, GZ $\frac{3}{4}$ ” / GW $\frac{3}{4}$ ”. The distance between the connections to the installation is 50 mm. The valves are compatible with „Type V” radiators.

The set includes:

- 1x two-pipe connection valve „Type V”,
- 1x thermostatic head „Prestige”,
- 2x reduction nipples (in selected sets „+”),
- 2x masking rosette $\varnothing 16$ mm.

For „Type V” sets of the Standard series PEX connectors can be selected for valves with thread to them adapted.

When ordering, it should be at the end add the catalog number (PEX).

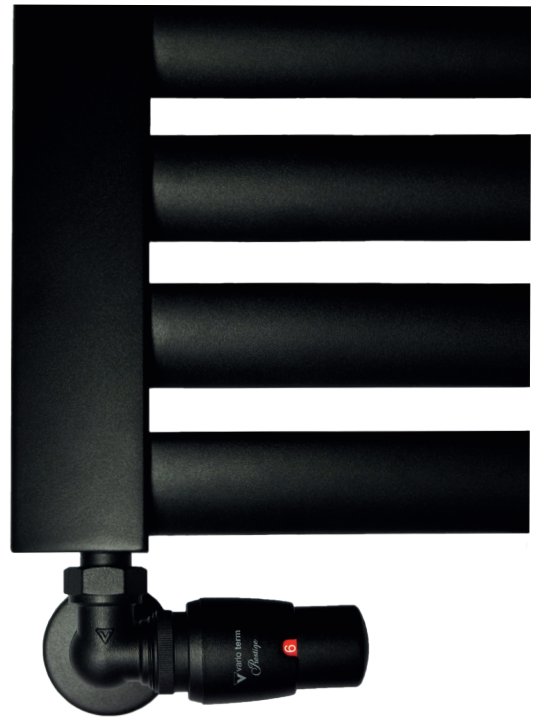
Example: PRGS0506C / FP (PEX).



INSTALLATION SETS

Technical data:

Range	8°C – 30°C* (16°C - 30°C)
Work temperature	120°C
Nominal pressure	1MPa
Heating medium	water
Test pressure	1.5 MPa
Pre-setting	on the valve insert shut-off
Radiator connection	G 3/4



For more demanding users who care about the color matching of the fittings to the radiator, the Elegant sets are designed, in which most valves have a set point. The highest category of Vario Term products are Exclusive sets. There is a full range of colors available for them along with the coating of structural varnishes, individual orders for unusual colors are also possible, eg gold, pink, green etc. We will produce an **ALL IN ONE** set with fittings matched in color from the RAL palette.

[Check our catalogue All In One](#)



TYPE V ELEGANT



„Type V Elegant“ thermostatic set, angle or straight version, GW ¾" / GZ ¾".

The set includes: „Type V“ connection valve, „Prestige“ or „Picco“ thermostatic head, 2 x reducing nipples.

Colors with delivery time 1-7 days

No	Color	With PRESTIGE thermostatic head	Price	With PICCO thermostatic head	Price
01	White - Chrome	EPRNYGS0201C/FK, EPRNYGS0201C/FP	176 zł	EPRNYGS02101P/FK, EPRNYGS02101P/FP	213 zł
05	Structural graphite	EPRNYGS0205C/FK, EPRNYGS0205C/FP	265 zł	EPRNYGS02105P/FK, EPRNYGS02105P/FP	302 zł
06	White	EPRNYGS0206C/FK, EPRNYGS0206C/FP	176 zł	EPRNYGS02106P/FK, EPRNYGS02106P/FP	213 zł
07	Glossy anth./Graph.	EPRNYGS0207C/FK, EPRNYGS0207C/FP	265 zł	EPRNYGS02107P/FK, EPRNYGS02107P/FP	302 zł
12	Metallic graphite	EPRNYGS0212C/FK, EPRNYGS0212C/FP	265 zł	EPRNYGS02112P/FK, EPRNYGS02112P/FP	302 zł
13	Glossy black	EPRNYGS0213C/FK, EPRNYGS0213C/FP	265 zł	EPRNYGS02113P/FK, EPRNYGS02113P/FP	302 zł
14	Structural black	EPRNYGS0214C/FK, EPRNYGS0214C/FP	265 zł	EPRNYGS02114P/FK, EPRNYGS02114P/FP	302 zł
15	Dark str. graphite	EPRNYGS0215C/FK, EPRNYGS0215C/FP	265 zł	EPRNYGS02115P/FK, EPRNYGS02115P/FP	302 zł
19	Structural white	EPRNYGS0219C/FK, EPRNYGS0219C/FP	265 zł	EPRNYGS02119P/FK, EPRNYGS02119P/FP	302 zł
21	Matt white	EPRNYGS0221C/FK, EPRNYGS0221C/FP	265 zł	EPRNYGS02121P/FK, EPRNYGS02121P/FP	302 zł
24	Matt black	EPRNYGS0224C/FK, EPRNYGS0224C/FP	265 zł	EPRNYGS02124P/FK, EPRNYGS02124P/FP	302 zł

Colors with delivery time 4-6 weeks

Nr	Color	With PRESTIGE thermostatic head	Price	With PICCO thermostatic head	Price
03	Satin	EPRNYGS0203C/FK, EPRNYGS0203C/FP	300 zł	EPRNYGS02103P/FK, EPRNYGS02103P/FP	338 zł
08	Nickel-grinded	-	-	-	-
10	Dark sand structural	EPRNYGS0210C/FK, EPRNYGS0210C/FP	265 zł	EPRNYGS02110P/FK, EPRNYGS02110P/FP	302 zł
11	Antique brass	EPRNYGS0211C/FK, EPRNYGS0211C/FP	300 zł	EPRNYGS02111P/FK, EPRNYGS02111P/FP	338 zł
17	Gray metallic	EPRNYGS0217C/FK, EPRNYGS0217C/FP	265 zł	EPRNYGS02117P/FK, EPRNYGS02117P/FP	302 zł

Additionally, it is possible to choose PEX connectors for valves with a thread adapted to them.

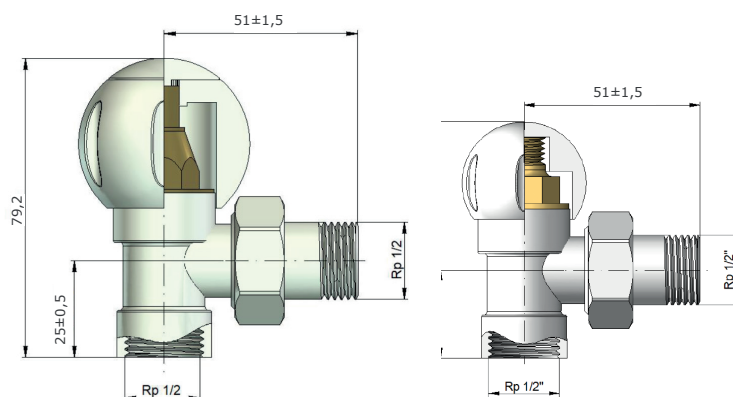
When ordering, please add (PEX) or (Cu) at the end of the catalog number.

Example: EPRNYGS0221C/FK(Cu).

Fittings 2 pcs. (price for set)	+44 zł (PEX or Cu)	+46 zł (PEX or Cu)	+52 zł (PEX or Cu)
Color	White-Chrome, Chrome, White 01, 02, 06	Powder Painting 05, 07, 12, 13, 14, 15, 19, 21, 24	Galvanic Coverings 03, 08, 11

ELEGANT SETS

BALL



„BALL” installation set, angular, GW 1/2” / GZ 1/2”. For retro radiators.

The set includes: „Ball” control valve, „Ball” shut-off valve.

Colors with delivery time 1-7 days

No	Color	Type (angular)	Price
02	Chrome	ZIB02/FK	213 zł
05	Structural graphite	ZIB05/FK	252 zł
06	White	ZIB06/FK	213 zł
07	Glossy anth./Graph.	ZIB07/FK	252 zł
12	Metallic graphite	ZIB12/FK	252 zł
13	Glossy black	ZIB13/FK	252 zł
14	Structural black	ZIB14/FK	252 zł
15	Dark str. graphite	ZIB15/FK	252 zł
19	Structural white	ZIB19/FK	252 zł
21	Matt white	ZIB21/FK	252 zł
24	Matt black	ZIB24/FK	252 zł

Colors with delivery time 4-6 weeks

No	Color	Type (angular)	Price
03	Satin	ZIB03/FK	292 zł
08	Nickel-grinded	ZIB08/FK	292 zł
10	Dark sand structural	ZIB10/FK	252 zł
11	Antique brass	ZIB11/FK	292 zł
17	Gray metallic	ZIB17/FK	252 zł

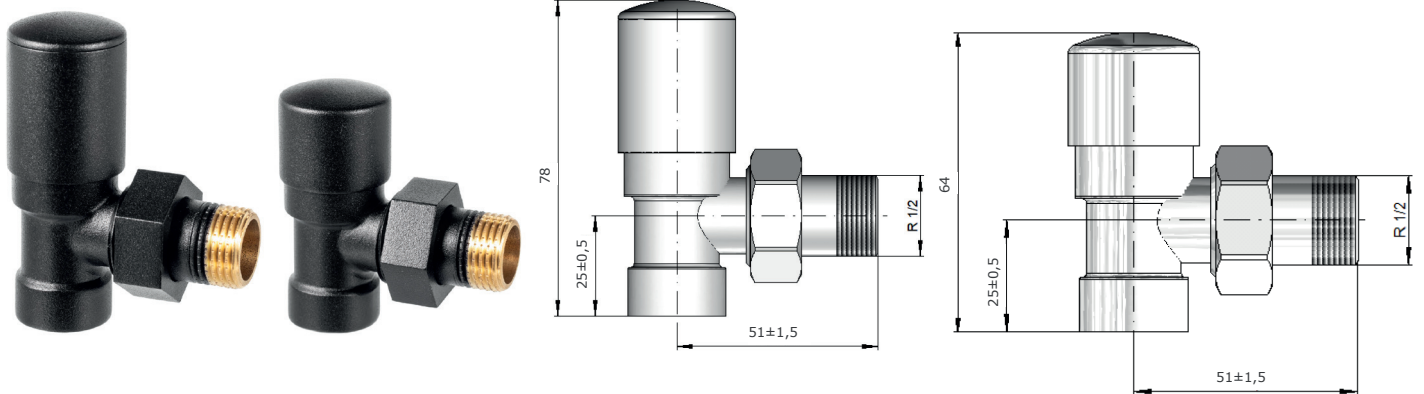
Additionally, it is possible to choose PEX connectors for valves with a thread adapted to them.

When ordering, please add (PEX) or (Cu) at the end of the catalog number.

Example: ZIB17/FK(Cu).

Fittings 2 pcs. (price for set)	+56 zł (PEX or Cu)	+70 zł (PEX or Cu)	+82 zł (PEX or Cu)
Color	White-Chrome, Chrome, White 01, 02, 06	Powder Painting 05, 07, 12, 13, 14, 15, 19, 21, 24	Galvanic Coverings 03, 08, 11

SWING



„Swing” regulating set, angular or straight version, GW ½” / GZ ½”.
The set includes: „Swing” control valve, „Swing” shut-off valve.

Colors with delivery time 1-7 days

No	Color	Type (angular, straight)	Price
02	Chrome	ZIS02/FK, ZIS02/FP	172 zł
05	Structural graphite	ZIS05/FK, ZIS05/FP	211 zł
06	White	ZIS06/FK, ZIS06/FP	172 zł
07	Glossy anth./Graph.	ZIS07/FK, ZIS07/FP	211 zł
12	Metallic graphite	ZIS12/FK, ZIS12/FP	211 zł
13	Glossy black	ZIS13/FK, ZIS13/FP	211 zł
14	Structural black	ZIS14/FK, ZIS14/FP	211 zł
15	Dark str. graphite	ZIS15/FK, ZIS15/FP	211 zł
19	Structural white	ZIS19/FK, ZIS19/FP	211 zł
21	Matt white	ZIS21/FK, ZIS21/FP	211 zł
24	Matt black	ZIS24/FK, ZIS24/FP	211 zł

Colors with delivery time 4-6 weeks

No	Color	Type (angular, straight)	Price
03	Satin	ZIS03/FK, ZIS03/FP	265 zł
08	Nickel-grinded	ZIS08/FK, ZIS08/FP	265 zł
10	Dark sand structural	ZIS10/FK, ZIS10/FP	211 zł
11	Antique brass	ZIS11/FK, ZIS11/FP	265 zł
17	Gray metallic	ZIS17/FK, ZIS17/FP	211 zł

Additionally, it is possible to choose PEX connectors for valves with a thread adapted to them.
 When ordering, please add (PEX) or (Cu) at the end of the catalog number.

Example: ZIS11/FK(Cu).

Fittings 2 pcs. (price for set)	+56 zł (PEX or Cu)	+70 zł (PEX or Cu)	+82 zł (PEX or Cu)
Color	White-Chrome, Chrome, White 01, 02, 06	Powder Painting 05, 07, 12, 13, 14, 15, 19, 21, 24	Galvanic Coverings 03, 08, 11

ELEGANT SETS

AXI ELEGANT



„Axi Elegant” thermostatic set, axial version, GW 1/2” / GZ 1/2”.

The set includes: „Axi” thermostatic valve, „FK” shut-off valve, „Prestige” or „Picco” thermostatic head.

Colors with delivery time 1-7 days

No	Color	With PRESTIGE thermostatic head	Price	With PICCO thermostatic head	Price
01	White - Chrome	EAXIGS0201C	225 zł	EAXIGS02101P	262 zł
05	Structural graphite	EAXIGS0205C	265 zł	EAXIGS02105P	302 zł
06	White	EAXIGS0206C	225 zł	EAXIGS02106P	262 zł
07	Glossy anth./Graph.	EAXIGS0207C	265 zł	EAXIGS02107P	302 zł
12	Metallic graphite	EAXIGS0212C	265 zł	EAXIGS02112P	302 zł
13	Glossy black	EAXIGS0213C	265 zł	EAXIGS02113P	302 zł
14	Structural black	EAXIGS0214C	265 zł	EAXIGS02114P	302 zł
15	Dark str. graphite	EAXIGS0215C	265 zł	EAXIGS02115P	302 zł
19	Structural white	EAXIGS0219C	265 zł	EAXIGS02119P	302 zł
21	Matt white	EAXIGS0221C	265 zł	EAXIGS02121P	302 zł
24	Matt black	EAXIGS0224C	265 zł	EAXIGS02124P	302 zł

Colors with delivery time 4-6 weeks

No	Color	With PRESTIGE thermostatic head	Price	With PICCO thermostatic head	Price
03	Satin	EAXIGS0203C	304 zł	EAXIGS02103P	341 zł
08	Nickel-grinded	-	-	-	-
10	Dark sand structural	EAXIGS0210C	265 zł	EAXIGS02110P	302 zł
11	Antique brass	EAXIGS0211C	304 zł	EAXIGS02111P	341 zł
17	Gray metallic	EAXIGS0217C	265 zł	EAXIGS02117P	302 zł

Additionally, it is possible to choose PEX connectors for valves with a thread adapted to them.

When ordering, please add (PEX) or (Cu) at the end of the catalog number.

Example: EAXIGS0224C(PEX).

Fittings 2 pcs. (price for set)	+56 zł (PEX or Cu)	+70 zł (PEX or Cu)	+82 zł (PEX or Cu)
Color	White-Chrome, Chrome, White 01, 02, 06	Powder Painting 05, 07, 12, 13, 14, 15, 19, 21, 24	Galvanic Coverings 03, 08, 11

MASTER



Thermostatic set „Master“, axial left or right, GW ½”, GZ ½”.

The set includes: „Master“ thermostatic valve, „FK“ shut-off valve, „Prestige“ or „Picco“ thermostatic head.

Colors with delivery time 1-7 days

No	Color	With PRESTIGE thermostatic head	Price	With PICCO thermostatic head	Price
01	White - Chrome	EMAGS0201CFK/L, EMAGS0201CFK/P	256 zł	EMAGS02101PFK/L, EMAGS02101PFK/P	293 zł
05	Structural graphite	EMAGS0205CFK/L, EMAGS0205CFK/P	278 zł	EMAGS02105PFK/L, EMAGS02105PFK/P	315 zł
06	White	EMAGS0206CFK/L, EMAGS0206CFK/P	252 zł	EMAGS02106PFK/L, EMAGS02106PFK/P	289 zł
07	Glossy anth./Graph.	EMAGS0207CFK/L, EMAGS0207CFK/P	278 zł	EMAGS02107PFK/L, EMAGS02107PFK/P	315 zł
12	Metallic graphite	EMAGS0212CFK/L, EMAGS0212CFK/P	278 zł	EMAGS02112PFK/L, EMAGS02112PFK/P	315 zł
13	Glossy black	EMAGS0213CFK/L, EMAGS0213CFK/P	278 zł	EMAGS02113PFK/L, EMAGS02113PFK/P	315 zł
14	Structural black	EMAGS0214CFK/L, EMAGS0214CFK/P	278 zł	EMAGS02114PFK/L, EMAGS02114PFK/P	315 zł
15	Dark str. graphite	EMAGS0215CFK/L, EMAGS0215CFK/P	278 zł	EMAGS02115PFK/L, EMAGS02115PFK/P	315 zł
19	Structural white	EMAGS0219CFK/L, EMAGS0219CFK/P	278 zł	EMAGS02119PFK/L, EMAGS02119PFK/P	315 zł
21	Matt white	EMAGS0221CFK/L, EMAGS0221CFK/P	278 zł	EMAGS02121PFK/L, EMAGS02121PFK/P	315 zł
24	Matt black	EMAGS0224CFK/L, EMAGS0224CFK/P	278 zł	EMAGS02124PFK/L, EMAGS02124PFK/P	315 zł

Colors with delivery time 4-6 weeks

No	Color	With PRESTIGE thermostatic head	Price	With PICCO thermostatic head	Price
03	Satin	EMAGS0203CFK/L, EMAGS0203CFK/P	330 zł	EMAGS02103PFK/L, EMAGS02103PFK/P	367 zł
08	Nickel-grinded	-	-	-	-
10	Dark sand str.	EMAGS0210CFK/L, EMAGS0210CFK/P	278 zł	EMAGS02110PFK/L, EMAGS02110PFK/P	315 zł
11	Antique brass	EMAGS0211CFK/L, EMAGS0211CFK/P	330 zł	EMAGS02111PFK/L, EMAGS02111PFK/P	367 zł
17	Gray metallic	EMAGS0217CFK/L, EMAGS0217CFK/P	278 zł	EMAGS02117PFK/L, EMAGS02117PFK/P	315 zł

Additionally, it is possible to choose PEX connectors for valves with a thread adapted to them.

When ordering, please add (PEX) or (Cu) at the end of the catalog number.

Example: EMAGS10211CFK/L(PEX).

Fittings 2 pcs. (price for set)	+56 zł (PEX or Cu)	+70 zł (PEX or Cu)	+82 zł (PEX or Cu)
Color	White-Chrome, Chrome, White 01, 02, 06	Powder Painting 05, 07, 12, 13, 14, 15, 19, 21, 24	Galvanic Coverings 03, 08, 11

ELEGANT SETS

WITH PRE-SETTING

ELEGANT



„Elegant” thermostatic set, angular or straight, GW 1/2” / GZ 1/2”.

The set includes: „SFK” or „SFP” thermostatic valve, „FK” or „FP” shut-off valve, „Prestige” or „Picco” thermostatic head.

Colors with delivery time 1-7 days

No	Color	With PRESTIGE thermostatic head	Price	With PICCO thermostatic head	Price
01	White - Chrome	ELGS0201C/FK, ELGS0201C/FP	224 zł	ELGS02101P/FK, ELGS02101P/FP	261 zł
05	Structural graphite	ELGS0205C/FK, ELGS0205C/FP	260 zł	ELGS02105P/FK, ELGS02105P/FP	297 zł
06	White	ELGS0206C/FK, ELGS0206C/FP	224 zł	ELGS02106P/FK, ELGS02106P/FP	261 zł
07	Glossy anth./Graph.	ELGS0207C/FK, ELGS0207C/FP	260 zł	ELGS02107P/FK, ELGS02107P/FP	297 zł
12	Metallic graphite	ELGS0212C/FK, ELGS0212C/FP	260 zł	ELGS02112P/FK, ELGS02112P/FP	297 zł
13	Glossy black	ELGS0213C/FK, ELGS0213C/FP	260 zł	ELGS02113P/FK, ELGS02113P/FP	297 zł
14	Structural black	ELGS0214C/FK, ELGS0214C/FP	260 zł	ELGS02114P/FK, ELGS02114P/FP	297 zł
15	Dark str. graphite	ELGS0215C/FK, ELGS0215C/FP	260 zł	ELGS02115P/FK, ELGS02115P/FP	297 zł
19	Structural white	ELGS0219C/FK, ELGS0219C/FP	260 zł	ELGS02119P/FK, ELGS02119P/FP	297 zł
21	Matt white	ELGS0221C/FK, ELGS0221C/FP	260 zł	ELGS02121P/FK, ELGS02121P/FP	297 zł
24	Matt black	ELGS0224C/FK, ELGS0224C/FP	260 zł	ELGS02124P/FK, ELGS02124P/FP	297 zł

Colors with delivery time 4-6 weeks

No	Color	With PRESTIGE thermostatic head	Price	With PICCO thermostatic head	Price
03	Satin	ELGS0203C/FK, ELGS0203C/FP	313 zł	ELGS02103P/FK, ELGS02103P/FP	350 zł
08	Nickel-grinded	-	-	-	-
10	Dark sand structural	ELGS0210C/FK, ELGS0210C/FP	260 zł	ELGS02110P/FK, ELGS02110P/FP	297 zł
11	Antique brass	ELGS0211C/FK, ELGS0211C/FP	313 zł	ELGS02111P/FK, ELGS02111P/FP	350 zł
17	Gray metallic	ELGS0217C/FK, ELGS0217C/FP	260 zł	ELGS02117P/FK, ELGS02117P/FP	297 zł

Additionally, it is possible to choose PEX connectors for valves with a thread adapted to them.

When ordering, please add (PEX) or (Cu) at the end of the catalog number.

Example: ELGS0207C/FK(PEX).

Fittings 2 pcs. (price for set)	+56 zł (PEX or Cu)	+70 zł (PEX or Cu)	+82 zł (PEX or Cu)
Color	White-Chrome, Chrome, White 01, 02, 06	Powder Painting 05, 07, 12, 13, 14, 15, 19, 21, 24	Galvanic Coverings 03, 08, 11

ROYAL



„Royal” thermostatic set, angular or straight, GW ½” / GZ ½”.

The set includes: „Royal” thermostatic valve, „Royal” shut-off valve, „Prestige” or „Picco” thermostatic head.

Colors with delivery time 1-7 days

No	Color	With PRESTIGE thermostatic head	Price	With PICCO thermostatic head	Price
02	Chrome	ROGS0202CFK, ROGS0202CFP	284 zł	ROGS02102PFK, ROGS02102PFP	321 zł
05	Structural graphite	ROGS0205CFK, ROGS0205CFP	312 zł	ROGS02105PFK, ROGS02105PFP	349 zł
06	White	ROGS0206CFK, ROGS0206CFP	284 zł	ROGS02106PFK, ROGS02106PFP	321 zł
07	Glossy anth./Graph.	ROGS0207CFK, ROGS0207CFP	312 zł	ROGS02107PFK, ROGS02107PFP	349 zł
12	Metallic graphite	ROGS0212CFK, ROGS0212CFP	312 zł	ROGS02112PFK, ROGS02112PFP	349 zł
13	Glossy black	ROGS0213CFK, ROGS0213CFP	312 zł	ROGS02113PFK, ROGS02113PFP	349 zł
14	Structural black	ROGS0214CFK, ROGS0214CFP	312 zł	ROGS02114PFK, ROGS02114PFP	349 zł
15	Dark str. graphite	ROGS0215CFK, ROGS0215CFP	312 zł	ROGS02115PFK, ROGS02115PFP	349zł
19	Structural white	ROGS0219CFK, ROGS0219CFP	312 zł	ROGS02119PFK, ROGS02119PFP	349 zł
21	Matt white	ROGS0221CFK, ROGS0221CFP	312 zł	ROGS02121PFK, ROGS02121PFP	349 zł
24	Matt black	ROGS0224CFK, ROGS0224CFP	312 zł	ROGS02124PFK, ROGS02124PFP	349 zł

Colors with delivery time 4-6 weeks

No	Color	With PRESTIGE thermostatic head	Price	With PICCO thermostatic head	Price
03	Satin	ROGS0203CFK, ROGS0203CFP	345 zł	ROGS02103PFK, ROGS02103PFP	382 zł
08	Nickel-grinded	ROGS0208CFK, ROGS0208CFP	345 zł	ROGS02108PFK, ROGS02108PFP	382 zł
10	Dark sand structural	ROGS0210CFK, ROGS0210CFP	312 zł	ROGS02110PFK, ROGS02110PFP	349 zł
11	Antique brass	ROGS0211CFK, ROGS0211CFP	345 zł	ROGS02111PFK, ROGS02111PFP	382 zł
17	Gray metallic	ROGS0217CFK, ROGS0217CFP	312 zł	ROGS02117PFK, ROGS02117PFP	349 zł

Additionally, it is possible to choose PEX connectors for valves with a thread adapted to them.

When ordering, please add (PEX) or (Cu) at the end of the catalog number.

Example: ROGS10214PFK(PEX).

Fittings 2 pcs. (price for set)	+56 zł (PEX or Cu)	+70 zł (PEX or Cu)	+82 zł (PEX or Cu)
Color	White-Chrome, Chrome, White 01, 02, 06	Powder Painting 05, 07, 12, 13, 14, 15, 19, 21, 24	Galvanic Coverings 03, 08, 11

EXCLUSIVE SETS

Technical data:

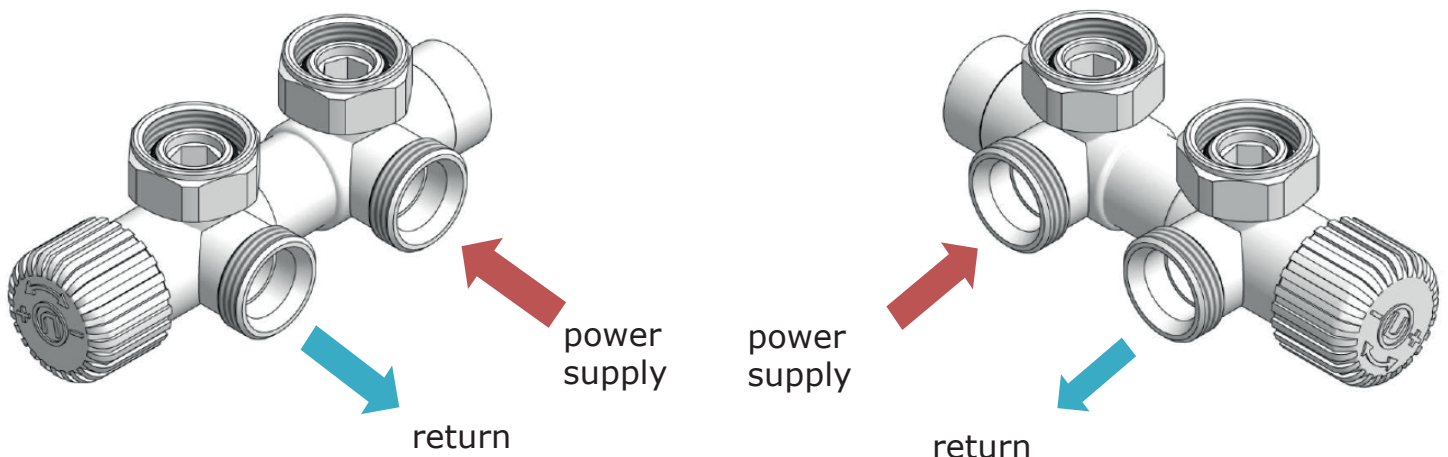
RANGE	8°C – 30°C* (16°C - 30°C)
Work temperature	120°C
Nominal pressure	1MPa
Heating medium	water
Test pressure	1.5 MPa
Pre-setting	on the valve insert shut-off
Radiator connection	G 3/4

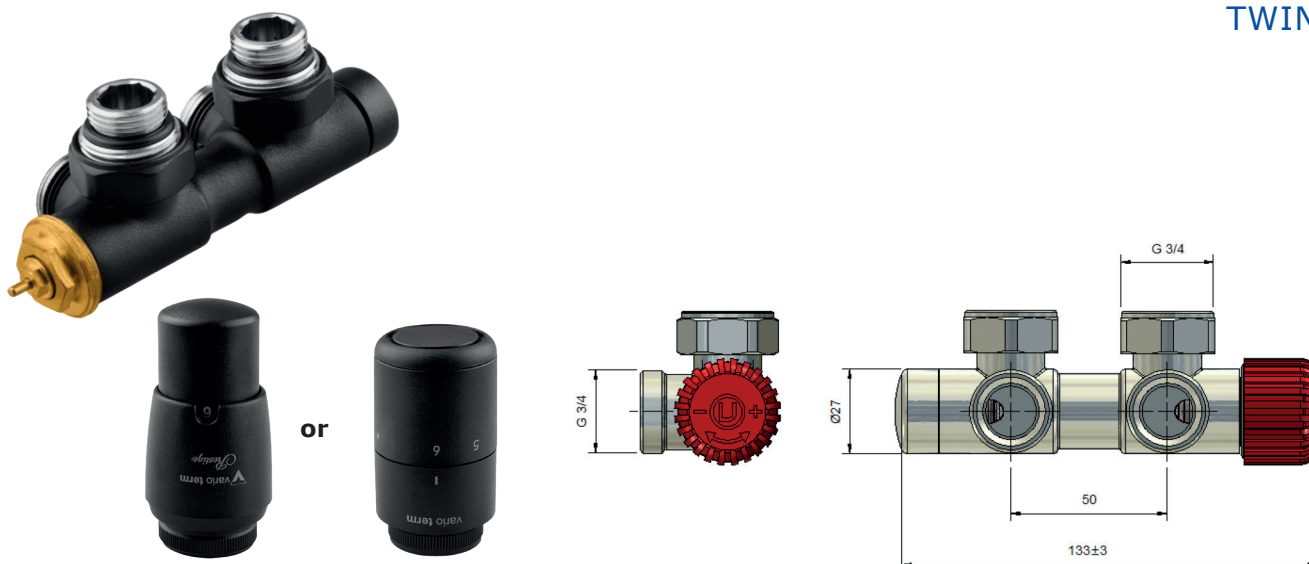
Assembly instructions TWINS and UNICO connections:

- The thermostatic head should be mounted on the return side (if the power supply is on the right, looking at the radiator, the thermostatic head should be on the left side),
- The shut-off insert for the „Twins” connection is factory-set to the open position.
- The pre-setting in the „Twins” connection is made via the insert of the shut-off valve.

To change the initial setting, first tighten the cut-off valve insert (max. 3Nm - slightly tightened), and then, starting from the closed position of the valve insert, turn it counterclockwise by an appropriate number of turns to obtain the desired Kv value (details in the product data sheets).

THE CORRECT INSTALATION OF THE TWINS CONNECTION:





„Twins” thermostatic set, right or left, GZ ¾” / GW ¾”, connection spacing 50 mm.

The set includes: „Twins” thermostatic connection, „Prestige” or „Tucan” thermostatic head, reduction nipples ¾” x ½”.

Correct installation of the „Twins” valves: the drain is on the side of the thermostatic head.

Colors with delivery time 1-7 days

No	Color	With PRESTIGE thermostatic head	Price	With TUCAN thermostatic head	Price
02	Chrome	TSGS0202CFK/L, TSGS0202CFK/P	503 zł	TSGS10102CFK/L, TSGS10102CFK/P	525 zł
05	Structural graphite	TSGS0205CFK/L, TSGS0205CFK/P	529 zł	TSGS10105CFK/L, TSGS10105CFK/P	551 zł
06	White	TSGS0206CFK/L, TSGS0206CFK/P	503 zł	TSGS10106CFK/L, TSGS10106CFK/P	525 zł
07	Glossy anth./Graph.	TSGS0207CFK/L, TSGS0207CFK/P	529 zł	TSGS10107CFK/L, TSGS10107CFK/P	551 zł
12	Metallic graphite	TSGS0212CFK/L, TSGS0212CFK/P	529 zł	TSGS10112CFK/L, TSGS10112CFK/P	551 zł
13	Glossy black	TSGS0213CFK/L, TSGS0213CFK/P	529 zł	TSGS10113CFK/L, TSGS10113CFK/P	551 zł
14	Structural black	TSGS0214CFK/L, TSGS0214CFK/P	529 zł	TSGS10114CFK/L, TSGS10114CFK/P	551 zł
15	Dark str. graphite	TSGS0215CFK/L, TSGS0215CFK/P	529 zł	TSGS10115CFK/L, TSGS10115CFK/P	551 zł
19	Structural white	TSGS0219CFK/L, TSGS0219CFK/P	529 zł	TSGS10119CFK/L, TSGS10119CFK/P	551 zł
21	Matt white	TSGS0221CFK/L, TSGS0221CFK/P	529 zł	TSGS10121CFK/L, TSGS10121CFK/P	551 zł
24	Matt black	TSGS0224CFK/L, TSGS0224CFK/P	529 zł	TSGS10124CFK/L, TSGS10124CFK/P	551 zł

Colors with delivery time 4-6 weeks

No	Color	With PRESTIGE thermostatic head	Price	With TUCAN thermostatic head	Price
03	Satin	TSGS0203CFK/L, TSGS0203CFK/P	570 zł	TSGS10103CFK/L, TSGS10103CFK/P	595 zł
08	Nickel-grinded	TSGS0208CFK/L, TSGS0208CFK/P	570 zł	TSGS10108CFK/L, TSGS10108CFK/P	595 zł
10	Dark sand structural	TSGS0210CFK/L, TSGS0210CFK/P	529 zł	TSGS10110CFK/L, TSGS10110CFK/P	551 zł
11	Antique brass	TSGS0211CFK/L, TSGS0211CFK/P	570 zł	TSGS10111CFK/L, TSGS10111CFK/P	595 zł
17	Gray metallic	TSGS0217CFK/L, TSGS0217CFK/P	529 zł	TSGS10117CFK/L, TSGS10117CFK/P	551 zł

Additionally, it is possible to choose PEX connectors for valves with a thread adapted to them.

When ordering, please add (PEX) or (Cu) at the end of the catalog number.

Example: 000M873A009/L(Cu).

Fittings 2 pcs. (price for set)	+44 zł (PEX or Cu)	+46 zł (PEX or Cu)	+52 zł (PEX or Cu)
Color	White-Chrome, Chrome, White 01, 02, 06	Powder Painting 05, 07, 12, 13, 14, 15, 19, 21, 24	Galvanic Coverings 03, 08, 11

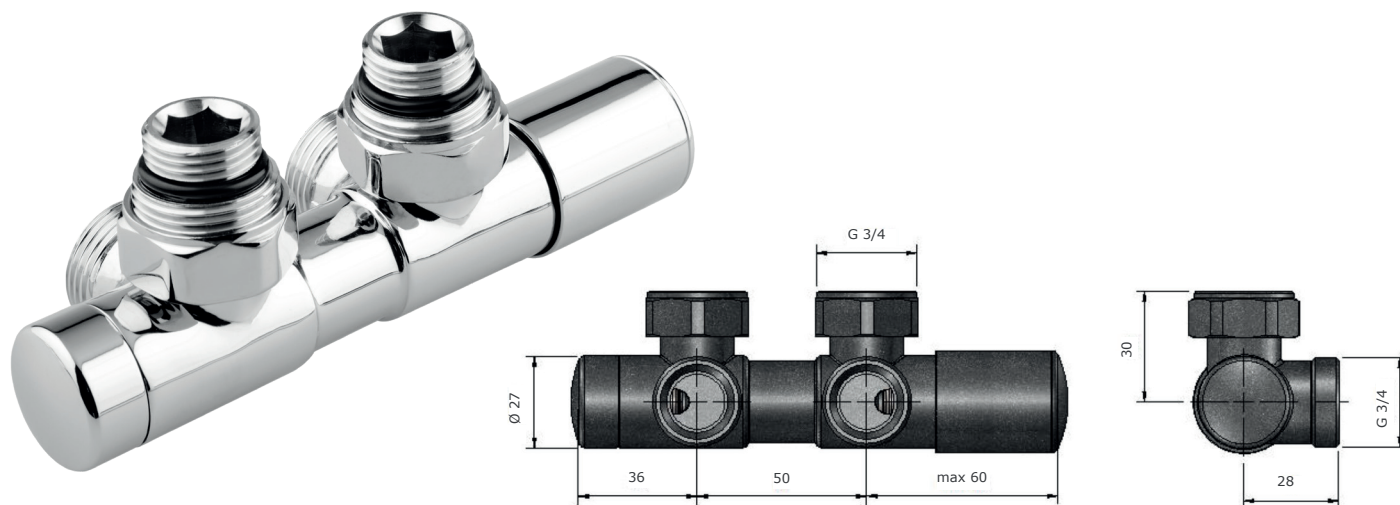




The picture shows the Integra Glamour thermostatic set right version with a heater (p.78)

EXCLUSIVE SETS

TWINS REGULATING



„Twins“ regulating set, right or left, GZ $\frac{3}{4}$ " / GW $\frac{3}{4}$ ", spacing between connections 50 mm.
The set includes: right or left „Twins“ adjustment connection, reduction nipples $\frac{3}{4}$ " x $\frac{1}{2}$ ".
 Correct installation of „Twins“ valves: the drain is on the side of the control knob.

Colors with delivery time 1-7 days

No	Color	Type (angular, left/right)	Price
02	Chrome	000M873A002/L, 000M873A002/P	345 zł
05	Structural graphite	000M873A005/L, 000M873A005/P	371 zł
06	White	000M873A006/L, 000M873A006/P	345 zł
07	Glossy anth./Graph.	000M873A007/L, 000M873A007/P	371 zł
12	Metallic graphite	000M873A012/L, 000M873A012/P	371 zł
13	Glossy black	000M873A013/L, 000M873A013/P	371 zł
14	Structural black	000M873A014/L, 000M873A014/P	371 zł
15	Dark str. graphite	000M873A015/L, 000M873A015/P	371 zł
19	Structural white	000M873A019/L, 000M873A019/P	371 zł
21	Matt white	000M873A021/L, 000M873A021/P	371 zł
24	Matt black	000M873A024/L, 000M873A024/P	371 zł

Colors with delivery time 4-6 weeks

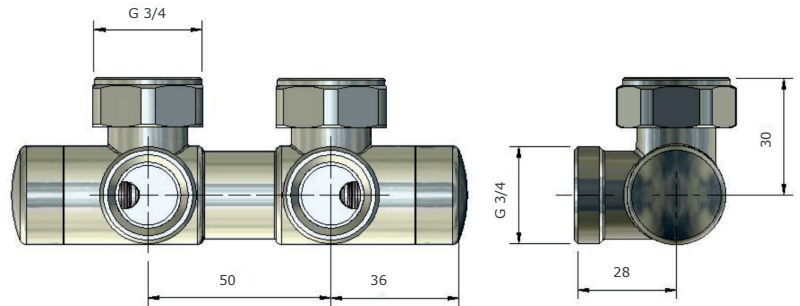
No	Color	Type (angular, left/right)	Price
03	Satin	000M873A003/L, 000M873A003/P	410 zł
08	Nickel-grinded	000M873A008/L, 000M873A008/P	410 zł
10	Dark sand structural	000M873A010/L, 000M873A010/P	371 zł
11	Antique brass	000M873A011/L, 000M873A011/P	410 zł
17	Gray metallic	000M873A017/L, 000M873A017/P	371 zł

Additionally, it is possible to choose PEX connectors for valves with a thread adapted to them.
 When ordering, please add (PEX) or (Cu) at the end of the catalog number.

Example: 000M873A009/L(Cu).

Fittings 2 pcs. (price for set)	+44 zł (PEX or Cu)	+46 zł (PEX or Cu)	+52 zł (PEX or Cu)
Color	White-Chrome, Chrome, White 01, 02, 06	Powder Painting 05, 07, 12, 13, 14, 15, 19, 21, 24	Galvanic Coverings 03, 08, 11

TWINS SHUT-OFF



„Twins” shut-off valve, GZ 3/4” / GW 3/4”, spacing between connections 50 mm.
The set includes: „Twins” shut-off connection, reduction nipples 3/4” x 1/2”.

Colors with delivery time 1-7 days

No	Color	Type (angular)	Price
02	Chrome	000M874A002	292 zł
05	Structural graphite	000M874A005	318 zł
06	White	000M874A006	292 zł
07	Glossy anth./Graph.	000M874A007	318 zł
12	Metallic graphite	000M874A012	318 zł
13	Glossy black	000M874A013	318 zł
14	Structural black	000M874A014	318 zł
15	Dark str. graphite	000M874A015	318 zł
19	Structural white	000M874A019	318 zł
21	Matt white	000M874A021	318 zł
24	Matt black	000M874A024	318 zł

Colors with delivery time 4-6 weeks

No	Color	Type (angular)	Price
03	Satin	000M874A003	357 zł
08	Nickel-grinded	000M874A008	357 zł
10	Dark sand structural	000M874A010	318 zł
11	Antique brass	000M874A011	357 zł
17	Gray metallic	000M874A017	318 zł

Additionally, it is possible to choose PEX connectors for valves with a thread adapted to them.

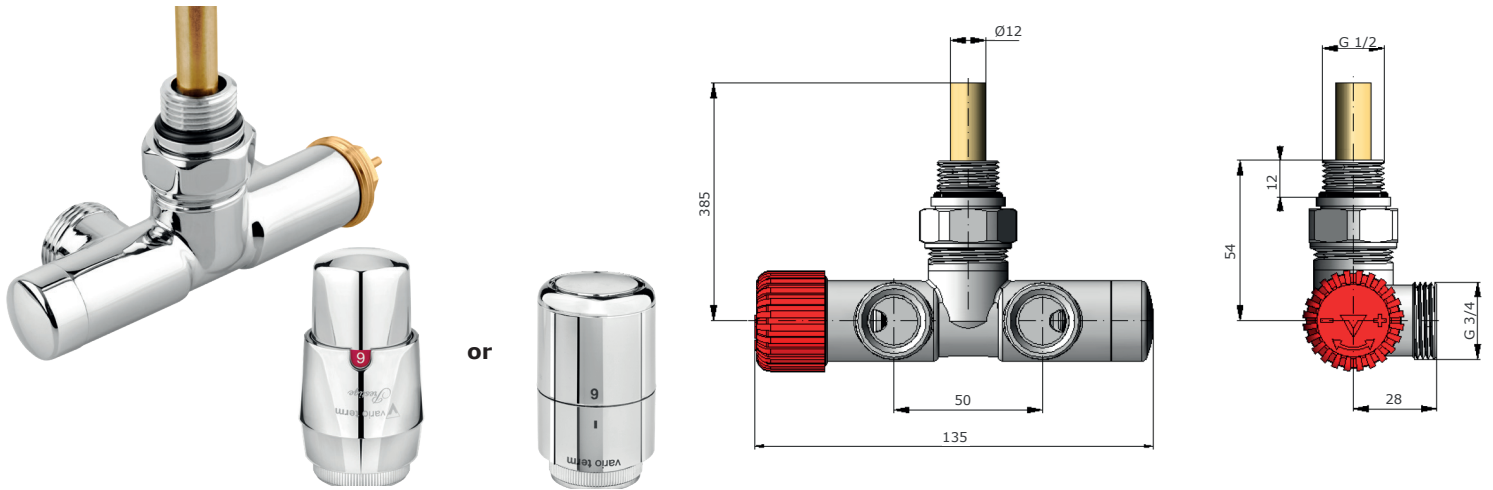
When ordering, please add (PEX) or (Cu) at the end of the catalog number.

Example: 000M874A024(Cu).

Fittings 2 pcs. (price for set)	+44 zł (PEX or Cu)	+46 zł (PEX or Cu)	+52 zł (PEX or Cu)
Color	White-Chrome, Chrome, White 01, 02, 06	Powder Painting 05, 07, 12, 13, 14, 15, 19, 21, 24	Galvanic Coverings 03, 08, 11

EXCLUSIVE SETS

UNICO



„Unico” thermostatic set, right or left, GZ $\frac{1}{2}$ ” / GZ $\frac{3}{4}$ ” x GZ $\frac{3}{4}$ ”, connection spacing 50 mm. It's possible to connect of an electric heater in the second riser of the heater.

The set includes: „Unico” thermostatic connection, immersion tube, „Prestige” or „Tucan” thermostatic head, mounting fitting.

Correct installation of the Unico valves: the drain is on the side of the thermostatic head.

Colors with delivery time 1-7 days

No	Color	With PRESTIGE thermostatic head	Price	With TUCAN thermostatic head	Price
02	Chrome	UGS0202CFK/L, UGS0202CFK/P	523 zł	UGS10102CFK/L, UGS10102CFK/P	544 zł
05	Structural graphite	UGS0205CFK/L, UGS0205CFK/P	550 zł	UGS10105CFK/L, UGS10105CFK/P	571 zł
06	White	UGS0206CFK/L, UGS0206CFK/P	523 zł	UGS10106CFK/L, UGS10106CFK/P	544 zł
07	Glossy anth./Graph.	UGS0207CFK/L, UGS0207CFK/P	550 zł	UGS10107CFK/L, UGS10107CFK/P	571 zł
12	Metallic graphite	UGS0212CFK/L, UGS0212CFK/P	550 zł	UGS10112CFK/L, UGS10112CFK/P	571 zł
13	Glossy black	UGS0213CFK/L, UGS0213CFK/P	550 zł	UGS10113CFK/L, UGS10113CFK/P	571 zł
14	Structural black	UGS0214CFK/L, UGS0214CFK/P	550 zł	UGS10114CFK/L, UGS10114CFK/P	571 zł
15	Dark str. graphite	UGS0215CFK/L, UGS0215CFK/P	550 zł	UGS10115CFK/L, UGS10115CFK/P	571 zł
19	Structural white	UGS0219CFK/L, UGS0219CFK/P	550 zł	UGS10119CFK/L, UGS10119CFK/P	571 zł
21	Matt white	UGS0221CFK/L, UGS0221CFK/P	550 zł	UGS10121CFK/L, UGS10121CFK/P	571 zł
24	Matt black	UGS0224CFK/L, UGS0224CFK/P	550 zł	UGS10124CFK/L, UGS10124CFK/P	571 zł

Colors with delivery time 4-6 weeks

No	Color	With PRESTIGE thermostatic head	Price	With TUCAN thermostatic head	Price
03	Satin	UGS0203CFK/L, UGS0203CFK/P	576 zł	UGS10103CFK/L, UGS10103CFK/P	600 zł
08	Nickel-grinded	UGS0208CFK/L, UGS0208CFK/P	576 zł	UGS10108CFK/L, UGS10108CFK/P	600 zł
10	Dark sand structural	UGS0210CFK/L, UGS0210CFK/P	550 zł	UGS10110CFK/L, UGS10110CFK/P	571 zł
11	Antique brass	UGS0211CFK/L, UGS0211CFK/P	576 zł	UGS10111CFK/L, UGS10111CFK/P	600 zł
17	Gray metallic	UGS0217CFK/L, UGS0217CFK/P	550 zł	UGS10117CFK/L, UGS10117CFK/P	571 zł

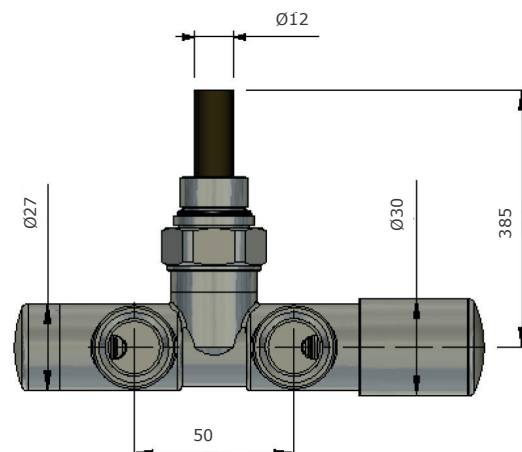
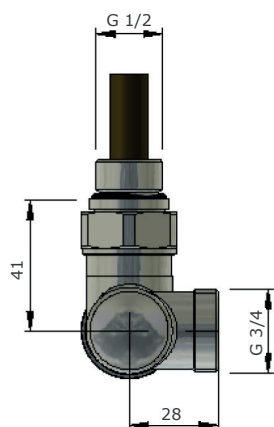
Additionally, it is possible to choose PEX connectors for valves with a thread adapted to them.

When ordering, please add (PEX) or (Cu) at the end of the catalog number.

Example: UGS0202CFK/L(Cu).

Fittings 2 pcs. (price for set)	+44 zł (PEX or Cu)	+46 zł (PEX or Cu)	+52 zł (PEX or Cu)
Color	White-Chrome, Chrome, White 01, 02, 06	Powder Painting 05, 07, 12, 13, 14, 15, 19, 21, 24	Galvanic Coverings 03, 08, 11

UNICO REGULATING



„Unico” regulating set, right or left, GZ 1/2” / GZ 3/4” x GZ 3/4”, connection distance 50 mm. It's possible to connect of an electric heater in the second riser of the heater.

The set includes: „Unico” regulating connection, immersion tube, mounting fitting. Correct installation of „Unico” valves: the drain is on the side of the control knob.

Colors with delivery time 1-7 days

No	Color	Type (angular, left/right)	Price
02	Chrome	000M875A002/L, 000M875A002/P	345 zł
05	Structural graphite	000M875A005/L, 000M875A005/P	371 zł
06	White	000M875A006/L, 000M875A006/P	345 zł
07	Glossy anth./Graph.	000M875A007/L, 000M875A007/P	371 zł
12	Metallic graphite	000M875A012/L, 000M875A012/P	371 zł
13	Glossy black	000M875A013/L, 000M875A013/P	371 zł
14	Structural black	000M875A014/L, 000M875A014/P	371 zł
15	Dark str. graphite	000M875A015/L, 000M875A015/P	371 zł
19	Structural white	000M875A019/L, 000M875A019/P	371 zł
21	Matt white	000M875A021/L, 000M875A021/P	371 zł
24	Matt black	000M875A024/L, 000M875A024/P	371 zł

Colors with delivery time 4-6 weeks

No	Color	Type (angular, left/right)	Price
03	Satin	000M875A003/L, 000M875A003/P	410 zł
08	Nickel-grinded	000M875A008/L, 000M875A008/P	410 zł
10	Dark sand structural	000M875A010/L, 000M875A010/P	371 zł
11	Antique brass	000M875A011/L, 000M875A011/P	410 zł
17	Gray metallic	000M875A017/L, 000M875A017/P	371 zł

Additionally, it is possible to choose PEX connectors for valves with a thread adapted to them.

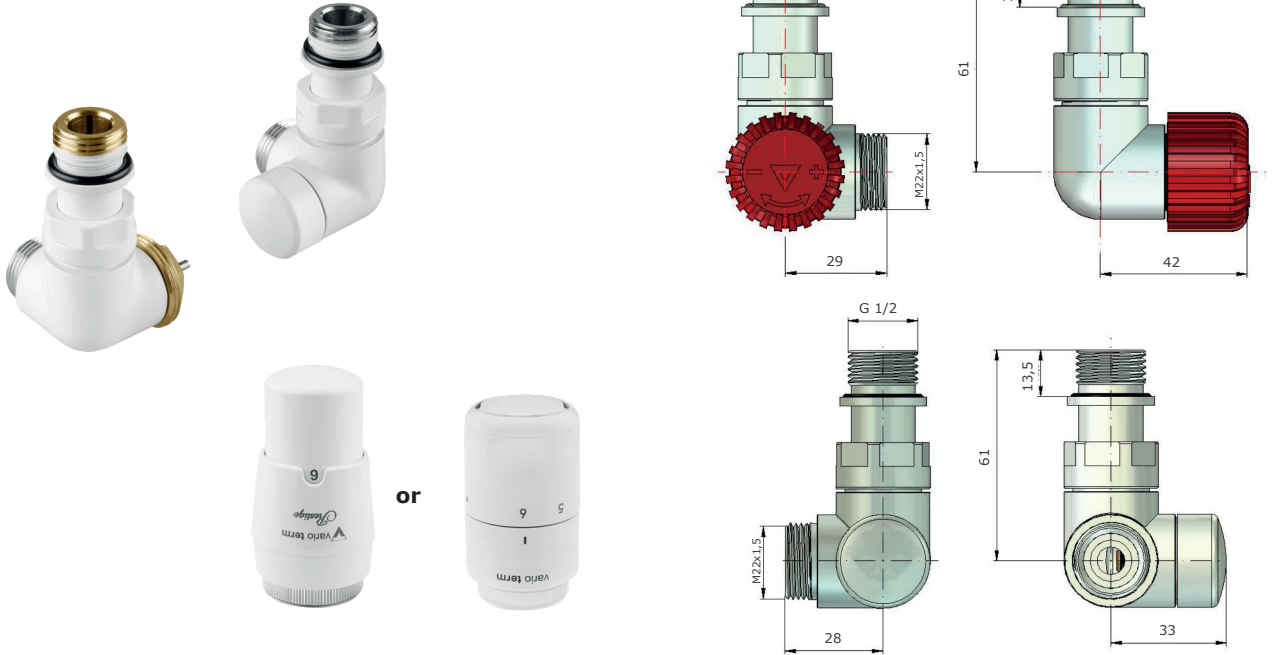
When ordering, please add (PEX) or (Cu) at the end of the catalog number.

Example: 000M875A015/L(PEX).

Fittings 2 pcs. (price for set)	+44 zł (PEX or Cu)	+46 zł (PEX or Cu)	+52 zł (PEX or Cu)
Color	White-Chrome, Chrome, White 01, 02, 06	Powder Painting 05, 07, 12, 13, 14, 15, 19, 21, 24	Galvanic Coverings 03, 08, 11

EXCLUSIVE SETS

VISION



„Vision” thermostatic set, axial, left or right, GZ ½” / GZ M22x1.5.

The set includes: „Vision” thermostatic valve, „Vision” shut-off valve, „Prestige” or „Tucan” thermostatic head.

Colors with delivery time 1-7 days

No	Color	With PRESTIGE thermostatic head	Price	With TUCAN thermostatic head	Price
02	Chrome	VIGS0202CFK/L, VIGS0202CFK/P	371 zł	VIGS10102CFK/L, VIGS10102CFK/P	392 zł
05	Structural graphite	VIGS0205CFK/L, VIGS0205CFK/P	397 zł	VIGS10105CFK/L, VIGS10105CFK/P	418 zł
06	White	VIGS0206CFK/L, VIGS0206CFK/P	371 zł	VIGS10106CFK/L, VIGS10106CFK/P	392 zł
07	Glossy anth./Graph.	VIGS0207CFK/L, VIGS0207CFK/P	397 zł	VIGS10107CFK/L, VIGS10107CFK/P	418 zł
12	Metallic graphite	VIGS0212CFK/L, VIGS0212CFK/P	397 zł	VIGS10112CFK/L, VIGS10112CFK/P	418 zł
13	Glossy black	VIGS0213CFK/L, VIGS0213CFK/P	397 zł	VIGS10113CFK/L, VIGS10113CFK/P	418 zł
14	Structural black	VIGS0214CFK/L, VIGS0214CFK/P	397 zł	VIGS10114CFK/L, VIGS10114CFK/P	418 zł
15	Dark str. graphite	VIGS0215CFK/L, VIGS0215CFK/P	397 zł	VIGS10115CFK/L, VIGS10115CFK/P	418 zł
19	Structural white	VIGS0219CFK/L, VIGS0219CFK/P	397 zł	VIGS10119CFK/L, VIGS10119CFK/P	418 zł
21	Matt white	VIGS0221CFK/L, VIGS0221CFK/P	397 zł	VIGS10121CFK/L, VIGS10121CFK/P	418 zł
24	Matt black	VIGS0224CFK/L, VIGS0224CFK/P	397 zł	VIGS10124CFK/L, VIGS10124CFK/P	418 zł

Colors with delivery time 4-6 weeks

No	Color	With PRESTIGE thermostatic head	Price	With TUCAN thermostatic head	Price
03	Satin	VIGS0203CFK/L, VIGS0203CFK/P	436 zł	VIGS10103CFK/L, VIGS10103CFK/P	461 zł
08	Nickel-grinded	VIGS0208CFK/L, VIGS0208CFK/P	436 zł	VIGS10108CFK/L, VIGS10108CFK/P	461 zł
10	Dark sand structural	VIGS0210CFK/L, VIGS0210CFK/P	397 zł	VIGS10110CFK/L, VIGS10110CFK/P	418 zł
11	Antique brass	VIGS0211CFK/L, VIGS0211CFK/P	436 zł	VIGS10111CFK/L, VIGS10111CFK/P	461 zł
17	Gray metallic	VIGS0217CFK/L, VIGS0217CFK/P	397 zł	VIGS10117CFK/L, VIGS10117CFK/P	418 zł

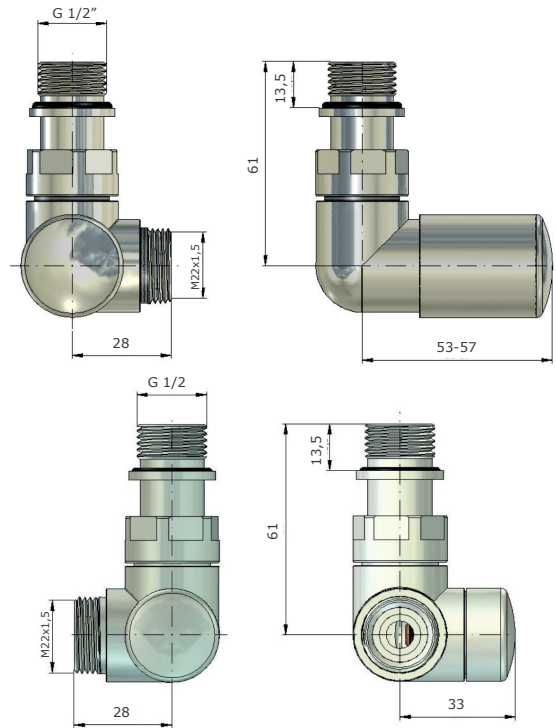
Additionally, it is possible to choose PEX connectors for valves with a thread adapted to them.

When ordering, please add (PEX) or (Cu) at the end of the catalog number.

Example: VIGS0205CFK/L(PEX).

Fittings 2 pcs. (price for set)	+44 zł (PEX or Cu)	+46 zł (PEX or Cu)	+52 zł (PEX or Cu)
Color	White-Chrome, Chrome, White 01, 02, 06	Powder Painting 05, 07, 12, 13, 14, 15, 19, 21, 24	Galvanic Coverings 03, 08, 11

VISION REGULATING



„Vision” regulating set, axial left or right, GZ ½” / GZ M22x1,5.

The set includes: „Vision” regulating valve, „Vision” shut-off valve.

Colors with delivery time 1-7 days

No	Color	Type (left/right)	Price
02	Chrome	VIR02L, VIR02P	258 zł
05	Structural graphite	VIR05L, VIR05P	284 zł
06	White	VIR06L, VIR06P	258 zł
07	Glossy anth./Graph.	VIR07L, VIR07P	284 zł
12	Metallic graphite	VIR12L, VIR12P	284 zł
13	Glossy black	VIR13L, VIR13P	284 zł
14	Structural black	VIR14L, VIR14P	284 zł
15	Dark str. graphite	VIR15L, VIR15P	284 zł
19	Structural white	VIR19L, VIR19P	284 zł
21	Matt white	VIR21L, VIR21P	284 zł
24	Matt black	VIR24L, VIR24P	284 zł

Colors with delivery time 4-6 weeks

No	Color	Type (left/right)	Price
03	Satin	VIR03L, VIR03P	324 zł
08	Nickel-grinded	VIR08L, VIR08P	324 zł
10	Dark sand structural	VIR10L, VIR10P	284 zł
11	Antique brass	VIR11L, VIR11P	324 zł
17	Gray metallic	VIR17L, VIR17P	284 zł

Additionally, it is possible to choose PEX connectors for valves with a thread adapted to them.

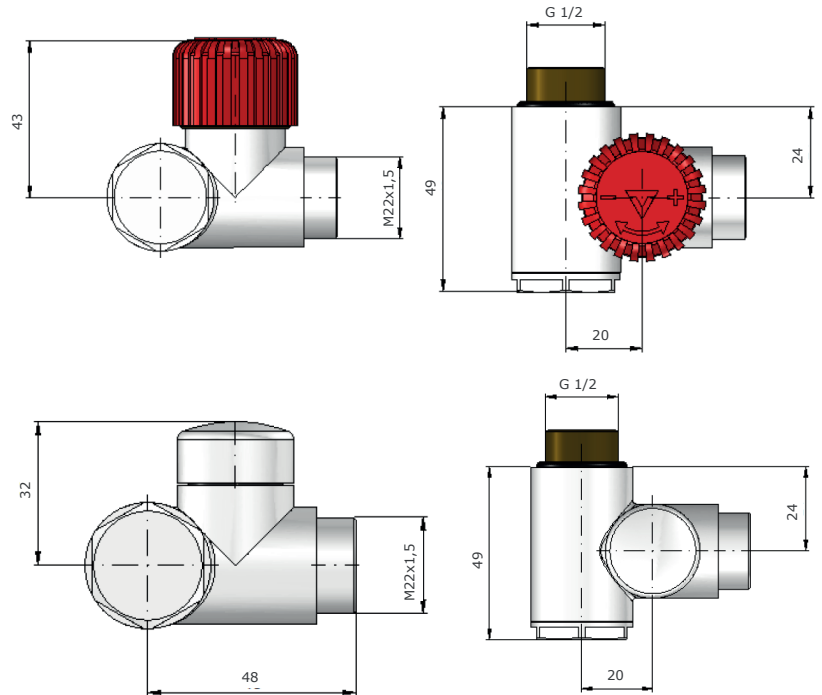
When ordering, please add (PEX) or (Cu) at the end of the catalog number.

Example: VIR19L(PEX).

Fittings 2 pcs. (price for set)	+44 zł (PEX or Cu)	+46 zł (PEX or Cu)	+52 zł (PEX or Cu)
Color	White-Chrome, Chrome, White 01, 02, 06	Powder Painting 05, 07, 12, 13, 14, 15, 19, 21, 24	Galvanic Coverings 03, 08, 11

EXCLUSIVE SETS

INTEGRA



„Integra” thermostatic set, left or right, GZ ½” / M22x1,5.

The set includes: „Integra” thermostatic valve, „Integra” shut-off valve, „Prestige” or „Tucan” thermostatic head.

The valve body is integrated with the T-piece for connecting the electric heater to the radiator.

Colors with delivery time 1-7 days

No	Color	With PRESTIGE thermostatic head	Price	With TUCAN thermostatic head	Price
02	Chrome	IGS0202CFK/L, IGS0202CFK/P	517 zł	IGS10102CFK/L, IGS10102CFK/P	539 zł
05	Structural graphite	IGS0205CFK/L, IGS0205CFK/P	543 zł	IGS10105CFK/L, IGS10105CFK/P	565 zł
06	White	IGS0206CFK/L, IGS0206CFK/P	517 zł	IGS10106CFK/L, IGS10106CFK/P	539 zł
07	Glossy anth./Graph.	IGS0207CFK/L, IGS0207CFK/P	543 zł	IGS10107CFK/L, IGS10107CFK/P	565 zł
12	Metallic graphite	IGS0212CFK/L, IGS0212CFK/P	543 zł	IGS10112CFK/L, IGS10112CFK/P	565 zł
13	Glossy black	IGS0213CFK/L, IGS0213CFK/P	543 zł	IGS10113CFK/L, IGS10113CFK/P	565 zł
14	Structural black	IGS0214CFK/L, IGS0214CFK/P	543 zł	IGS10114CFK/L, IGS10114CFK/P	565 zł
15	Dark str. graphite	IGS0215CFK/L, IGS0215CFK/P	543 zł	IGS10115CFK/L, IGS10115CFK/P	565 zł
19	Structural white	IGS0219CFK/L, IGS0219CFK/P	543 zł	IGS10119CFK/L, IGS10119CFK/P	565 zł
21	Matt white	IGS0221CFK/L, IGS0221CFK/P	543 zł	IGS10121CFK/L, IGS10121CFK/P	565 zł
24	Matt black	IGS0224CFK/L, IGS0224CFK/P	543 zł	IGS10124CFK/L, IGS10124CFK/P	565 zł

Colors with delivery time 4-6 weeks

No	Color	With PRESTIGE thermostatic head	Price	With TUCAN thermostatic head	Price
03	Satin	IGS0203CFK/L, IGS0203CFK/P	582 zł	IGS10103CFK/L, IGS10103CFK/P	607 zł
08	Nickel-grinded	IGS0208CFK/L, IGS0208CFK/P	582 zł	IGS10108CFK/L, IGS10108CFK/P	607 zł
10	Dark sand structural	IGS0210CFK/L, IGS0210CFK/P	543 zł	IGS10110CFK/L, IGS10110CFK/P	565 zł
11	Antique brass	IGS0211CFK/L, IGS0211CFK/P	582 zł	IGS10111CFK/L, IGS10111CFK/P	607 zł
17	Gray metallic	IGS0217CFK/L, IGS0217CFK/P	543 zł	IGS10117CFK/L, IGS10117CFK/P	565 zł

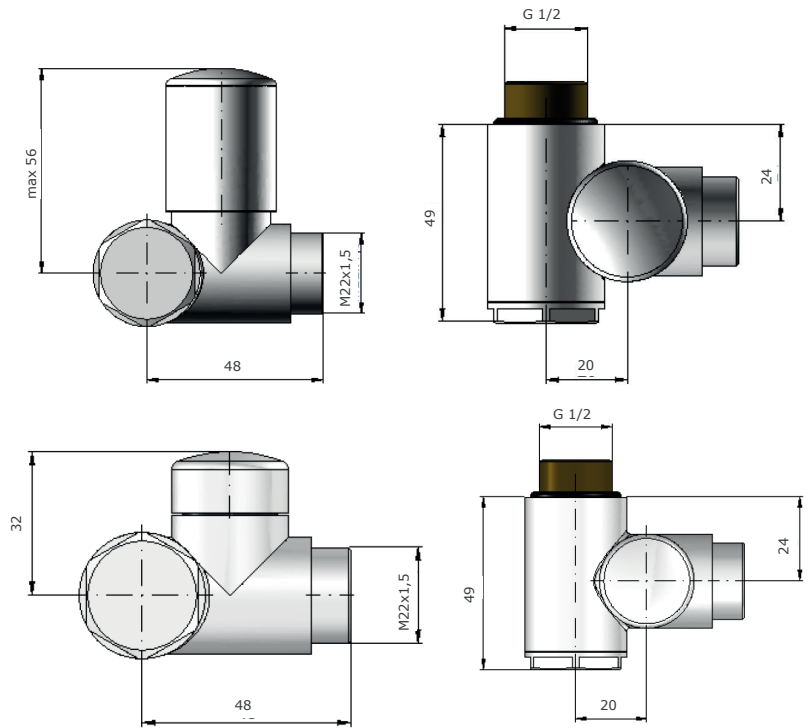
Additionally, it is possible to choose PEX or Cu connectors for valves with a thread adapted to them.

When ordering, please add (PEX) or (Cu) at the end of the catalog number.

Example: IGS10103CFK/L(PEX).

Fittings 2 pcs. (price for set)	+44 zł (PEX or Cu)	+46 zł (PEX or Cu)	+52 zł (PEX or Cu)
Color	White-Chrome, Chrome, White 01, 02, 06	Powder Painting 05, 07, 12, 13, 14, 15, 19, 21, 24	Galvanic Coverings 03, 08, 11

INTEGRA REGULATING



„Integra” regulating set, left or right, GZ ½” / GZ M22x1,5.

The set includes: „Integra” control valve, „Integra” shut-off valve.

The valve body is integrated with the tee, enabling the connection of an electric heater to the radiator.

Colors with delivery time 1-7 days

No	Color	Type (angular, left/right)	Price
02	Chrome	IR02CFK/L, IR02CFK/P	357 zł
05	Structural graphite	IR05CFK/L, IR05CFK/P	412 zł
06	White	IR06CFK/L, IR06CFK/P	357 zł
07	Glossy anth./Graph.	IR07CFK/L, IR07CFK/P	412 zł
12	Metallic graphite	IR12CFK/L, IR12CFK/P	412 zł
13	Glossy black	IR13CFK/L, IR13CFK/P	412 zł
14	Structural black	IR14CFK/L, IR14CFK/P	412 zł
15	Dark str. graphite	IR15CFK/L, IR15CFK/P	412 zł
19	Structural white	IR19CFK/L, IR19CFK/P	412 zł
21	Matt white	IR21CFK/L, IR21CFK/P	412 zł
24	Matt black	IR24CFK/L, IR24CFK/P	412 zł

Colors with delivery time 4-6 weeks

No	Color	Type (angular, left/right)	Price
03	Satin	IR03CFK/L, IR03CFK/P	482 zł
08	Nickel-grinded	IR08CFK/L, IR08CFK/P	482 zł
10	Dark sand structural	IR10CFK/L, IR10CFK/P	412 zł
11	Antique brass	IR11CFK/L, IR11CFK/P	482 zł
17	Gray metallic	IR17CFK/L, IR17CFK/P	412 zł

Additionally, it is possible to choose PEX connectors for valves with a thread adapted to them.

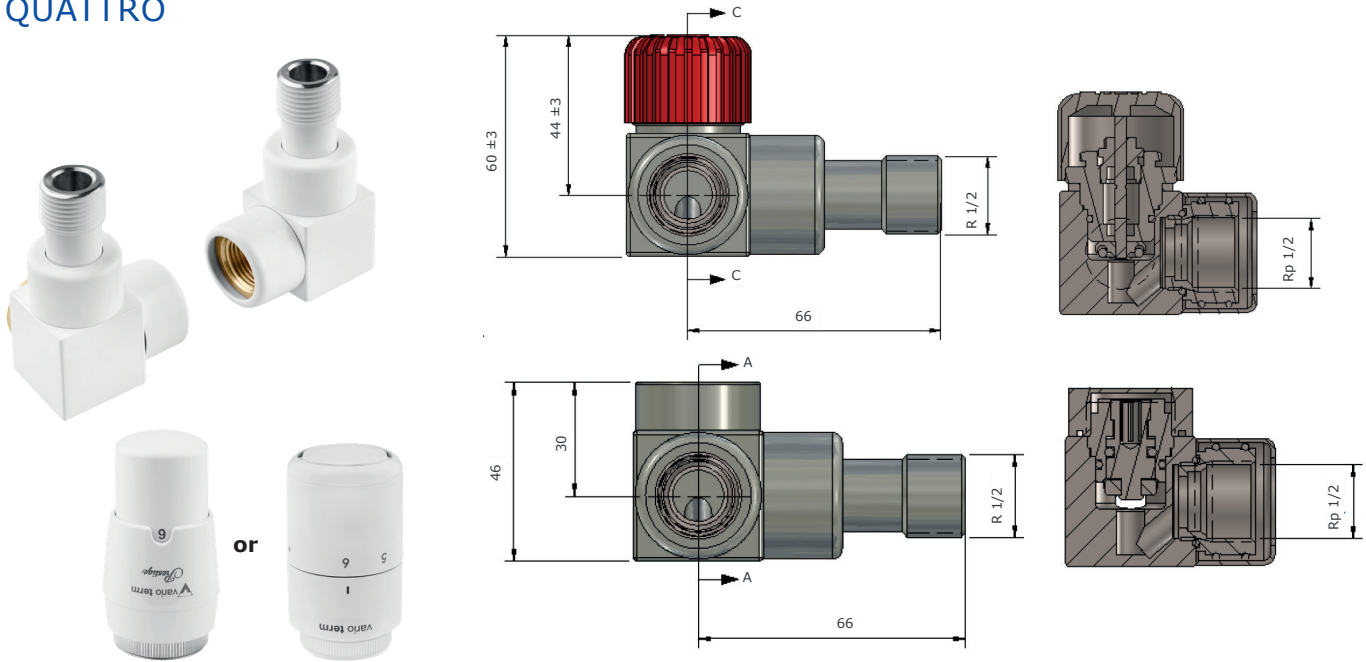
When ordering, please add (PEX) or (Cu) at the end of the catalog number.

Example: IR24CFK/L(PEX).

Fittings 2 pcs. (price for set)	+44 zł (PEX or Cu)	+46 zł (PEX or Cu)	+52 zł (PEX or Cu)
Color	White-Chrome, Chrome, White 01, 02, 06	Powder Painting 05, 07, 12, 13, 14, 15, 19, 21, 24	Galvanic Coverings 03, 08, 11

EXCLUSIVE SETS

QUATTRO



„Quattro” thermostatic set, axial left or right, GW 1/2” / MZ 1/2”.

The set includes: „Quattro” thermostatic valve, „Quattro” shut-off valve, „Prestige” or „Tucan” thermostatic head.

Colors with delivery time 1-7 days

No	Color	With PRESTIGE thermostatic head	Price	With TUCAN thermostatic head	Price
02	Chrome	QGS0202CFK/L, QGS0202CFK/P	543 zł	QGS10102CFK/L, QGS10102CFK/P	565 zł
05	Structural graphite	QGS0205CFK/L, QGS0205CFK/P	570 zł	QGS10105CFK/L, QGS10105CFK/P	592 zł
06	White	QGS0206CFK/L, QGS0206CFK/P	543 zł	QGS10106CFK/L, QGS10106CFK/P	565 zł
07	Glossy anth./Graph.	QGS0207CFK/L, QGS0207CFK/P	570 zł	QGS10107CFK/L, QGS10107CFK/P	592 zł
12	Metallic graphite	QGS0212CFK/L, QGS0212CFK/P	570 zł	QGS10112CFK/L, QGS10112CFK/P	592 zł
13	Glossy black	QGS0213CFK/L, QGS0213CFK/P	570 zł	QGS10113CFK/L, QGS10113CFK/P	592 zł
14	Structural black	QGS0214CFK/L, QGS0214CFK/P	570 zł	QGS10114CFK/L, QGS10114CFK/P	592 zł
15	Dark str. graphite	QGS0215CFK/L, QGS0215CFK/P	570 zł	QGS10115CFK/L, QGS10115CFK/P	592 zł
19	Structural white	QGS0219CFK/L, QGS0219CFK/P	570 zł	QGS10119CFK/L, QGS10119CFK/P	592 zł
21	Matt white	QGS0221CFK/L, QGS0221CFK/P	570 zł	QGS10121CFK/L, QGS10121CFK/P	592 zł
24	Matt black	QGS0224CFK/L, QGS0224CFK/P	570 zł	QGS10124CFK/L, QGS10124CFK/P	592 zł

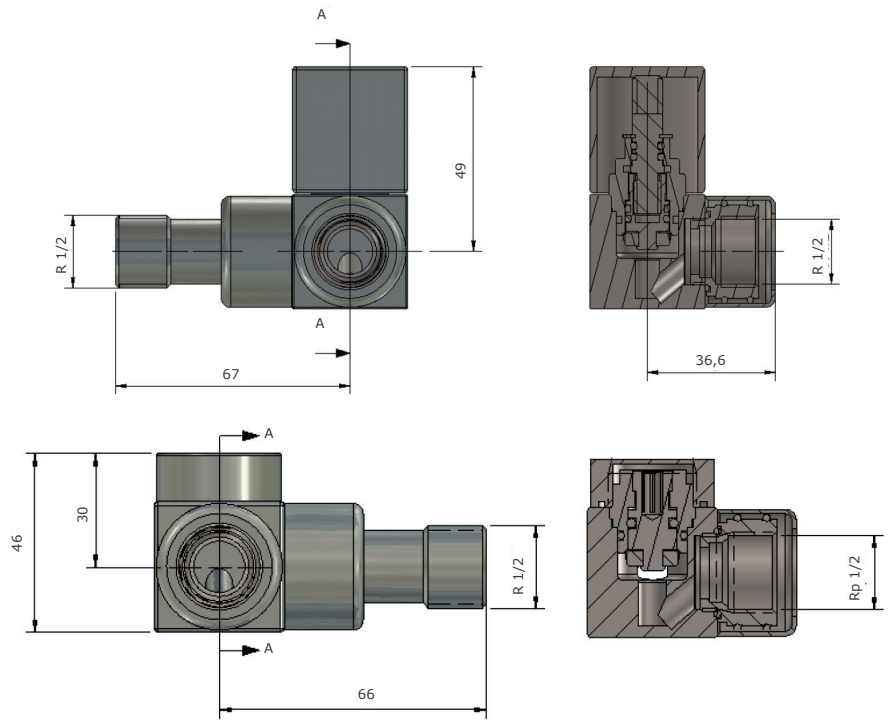
Colors with delivery time 4-6 weeks

No	Color	With PRESTIGE thermostatic head	Price	With TUCAN thermostatic head	Price
03	Satin	QGS0203CFK/L, QGS0203CFK/P	610 zł	QGS10103CFK/L, QGS10103CFK/P	634 zł
08	Nickel-grinded	QGS0208CFK/L, QGS0208CFK/P	610 zł	QGS10108CFK/L, QGS10108CFK/P	634 zł
10	Dark sand structural	QGS0210CFK/L, QGS0210CFK/P	570 zł	QGS10110CFK/L, QGS10110CFK/P	592 zł
11	Antique brass	QGS0211CFK/L, QGS0211CFK/P	610 zł	QGS10111CFK/L, QGS10111CFK/P	634 zł
17	Gray metallic	QGS0217CFK/L, QGS0217CFK/P	570 zł	QGS10117CFK/L, QGS10117CFK/P	592 zł

Additionally, it is possible to order sets with connectors for PEX or Cu. The fittings are an integral part of the valve (when ordering, add (PEX) or (Cu) at the end of the catalog number).

Example: QGS0208CFK/P(PEX).

QUATTRO REGULATING



„Quattro“ regulating set, axial, left or right, GW 1/2" / GZ 1/2".

The set includes: „Quattro“ control valve, „Quattro“ shut-off valve.

Colors with delivery time 1-7 days

No	Color	Type (angular, left/right)	Price
02	Chrome	QR02CFK/L, QR02CFK/P	424 zł
05	Structural graphite	QR05CFK/L, QR05CFK/P	438 zł
06	White	QR06CFK/L, QR06CFK/P	424 zł
07	Glossy anth./Graph.	QR07CFK/L, QR07CFK/P	438 zł
12	Metallic graphite	QR12CFK/L, QR12CFK/P	438 zł
13	Glossy black	QR13CFK/L, QR13CFK/P	438 zł
14	Structural black	QR14CFK/L, QR14CFK/P	438 zł
15	Dark str. graphite	QR15CFK/L, QR15CFK/P	438 zł
19	Structural white	QR19CFK/L, QR19CFK/P	438 zł
21	Matt white	QR21CFK/L, QR21CFK/P	438 zł
24	Matt black	QR24CFK/L, QR24CFK/P	438 zł

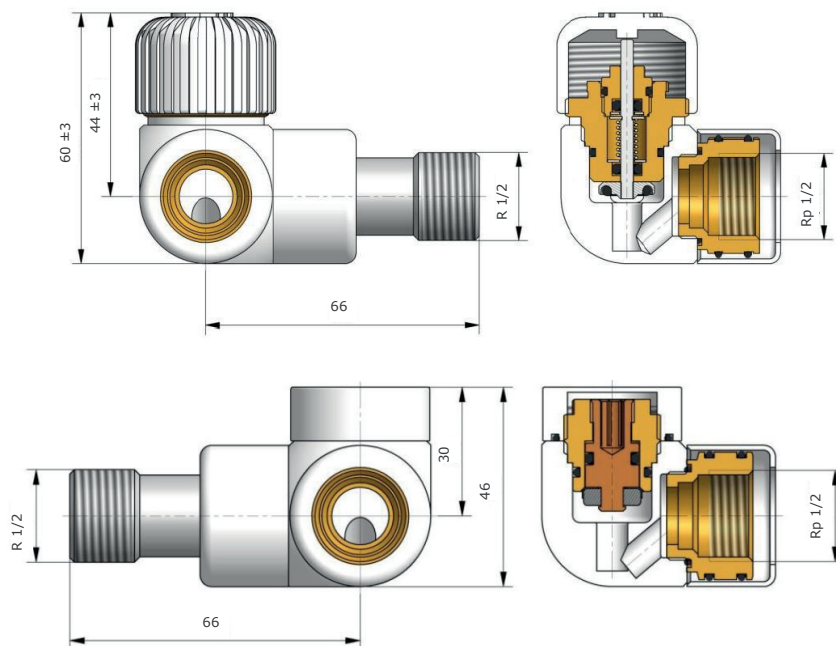
Colors with delivery time 4-6 weeks

No	Color	Type (angular, left/right)	Price
03	Satin	QR03CFK/L, QR03CFK/P	476 zł
08	Nickel-grinded	QR08CFK/L, QR08CFK/P	476 zł
10	Dark sand structural	QR10CFK/L, QR10CFK/P	438 zł
11	Antique brass	QR11CFK/L, QR11CFK/P	476 zł
17	Gray metallic	QR17CFK/L, QR17CFK/P	438 zł

Additionally, it is possible to order sets with connectors for PEX or Cu. The fittings are an integral part of the valve (when ordering, add (PEX) or (Cu) at the end of the catalog number). Example: QR02CFK/L(PEX).

EXCLUSIVE SETS

LUX I



Thermostatic set „Lux I”, axial, left or right, GW 1/2” / GZ 1/2”.

The set includes: „Lux I” thermostatic valve, „Lux I” shut-off valve, „Prestige” or „Tucan” thermostatic head.

Colors with delivery time 1-7 days

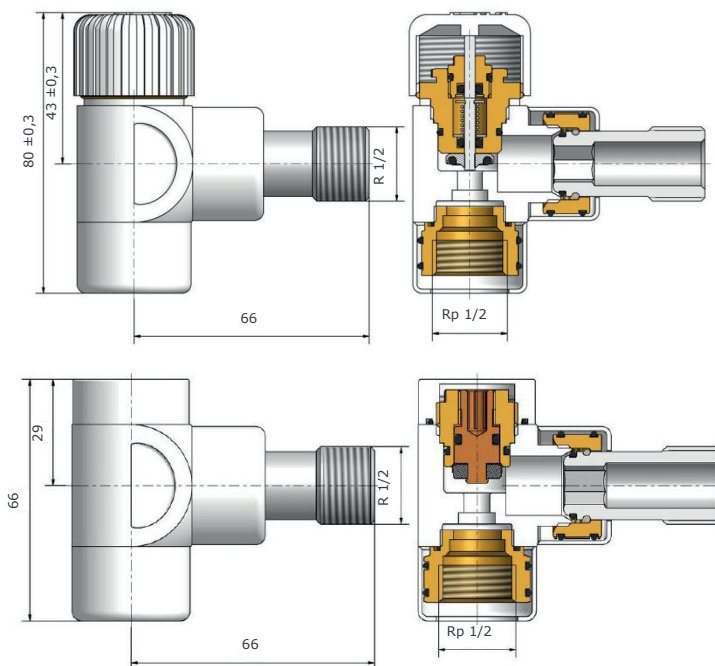
No	Color	With PRESTIGE thermostatic head	Price	With TUCAN thermostatic head	Price
02	Chrome	LUX1GS0202CFK/L, LUX1GS0202CFK/P	529 zł	LUX1GS10102CFK/L, LUX1GS10102CFK/P	551 zł
05	Structural graphite	LUX1GS0205CFK/L, LUX1GS0205CFK/P	543 zł	LUX1GS10105CFK/L, LUX1GS10105CFK/P	565 zł
06	White	LUX1GS0206CFK/L, LUX1GS0206CFK/P	529 zł	LUX1GS10106CFK/L, LUX1GS10106CFK/P	551 zł
07	Glossy anth./Graph.	LUX1GS0207CFK/L, LUX1GS0207CFK/P	543 zł	LUX1GS10107CFK/L, LUX1GS10107CFK/P	565 zł
12	Metallic graphite	LUX1GS0212CFK/L, LUX1GS0212CFK/P	543 zł	LUX1GS10112CFK/L, LUX1GS10112CFK/P	565 zł
13	Glossy black	LUX1GS0213CFK/L, LUX1GS0213CFK/P	543 zł	LUX1GS10113CFK/L, LUX1GS10113CFK/P	565 zł
14	Structural black	LUX1GS0214CFK/L, LUX1GS0214CFK/P	543 zł	LUX1GS10114CFK/L, LUX1GS10114CFK/P	565 zł
15	Dark str. graphite	LUX1GS0215CFK/L, LUX1GS0215CFK/P	543 zł	LUX1GS10115CFK/L, LUX1GS10115CFK/P	565 zł
19	Structural white	LUX1GS0219CFK/L, LUX1GS0219CFK/P	543 zł	LUX1GS10119CFK/L, LUX1GS10119CFK/P	565 zł
21	Matt white	LUX1GS0221CFK/L, LUX1GS0221CFK/P	543 zł	LUX1GS10121CFK/L, LUX1GS10121CFK/P	565 zł
24	Matt black	LUX1GS0224CFK/L, LUX1GS0224CFK/P	543 zł	LUX1GS10124CFK/L, LUX1GS10124CFK/P	565 zł

Colors with delivery time 4-6 weeks

No	Color	With PRESTIGE thermostatic head	Price	With TUCAN thermostatic head	Price
03	Satin	LUX1GS0203CFK/L, LUX1GS0203CFK/P	582 zł	LUX1GS10103CFK/L, LUX1GS10103CFK/P	607 zł
08	Nickel-grinded	LUX1GS0208CFK/L, LUX1GS0208CFK/P	582 zł	LUX1GS10108CFK/L, LUX1GS10108CFK/P	607 zł
10	Dark sand structural	LUX1GS0210CFK/L, LUX1GS0210CFK/P	543 zł	LUX1GS10110CFK/L, LUX1GS10110CFK/P	565 zł
11	Antique brass	LUX1GS0211CFK/L, LUX1GS0211CFK/P	582 zł	LUX1GS10111CFK/L, LUX1GS10111CFK/P	607 zł
17	Gray metallic	LUX1GS0217CFK/L, LUX1GS0217CFK/P	543 zł	LUX1GS10117CFK/L, LUX1GS10117CFK/P	565 zł

Additionally, it is possible to order sets with connectors for PEX or Cu. The fittings are an integral part of the valve (when ordering, add (PEX) or (Cu) at the end of the catalog number). Example: LUX1GS0221C/L(PEX).

LUX II



Thermostatic set „Lux II”, Angular, GW 1/2” / GZ 1/2”.

The set includes: „Lux II” thermostatic valve, „Lux II” shut-off valve, „Prestige” or „Tucan” thermostatic head.

Colors with delivery time 1-7 days

No	Color	With PRESTIGE thermostatic head	Price	With TUCAN thermostatic head	Price
02	Chrome	LUX2GS0202CFK	477 zł	LUX2GS10102CFK	499 zł
05	Structural graphite	LUX2GS0205CFK	503 zł	LUX2GS10105CFK	525 zł
06	White	LUX2GS0206CFK	477 zł	LUX2GS10106CFK	499 zł
07	Glossy anth./Graph.	LUX2GS0207CFK	503 zł	LUX2GS10107CFK	525 zł
12	Metallic graphite	LUX2GS0212CFK	503 zł	LUX2GS10112CFK	525 zł
13	Glossy black	LUX2GS0213CFK	503 zł	LUX2GS10113CFK	525 zł
14	Structural black	LUX2GS0214CFK	503 zł	LUX2GS10114CFK	525 zł
15	Dark str. graphite	LUX2GS0215CFK	503 zł	LUX2GS10115CFK	525 zł
19	Structural white	LUX2GS0219CFK	503 zł	LUX2GS10119CFK	525 zł
21	Matt white	LUX2GS0221CFK	503 zł	LUX2GS10121CFK	525 zł
24	Matt black	LUX2GS0224CFK	503 zł	LUX2GS10124CFK	525 zł

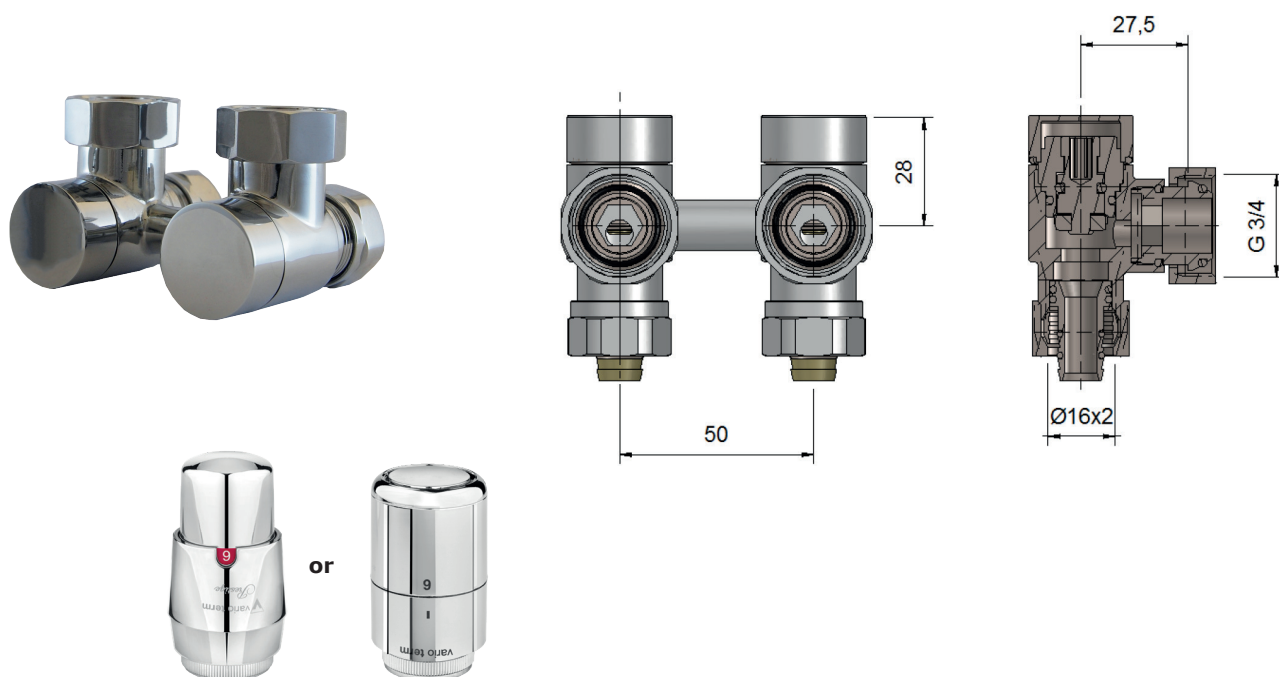
Colors with delivery time 4-6 weeks

No	Color	With PRESTIGE thermostatic head	Price	With TUCAN thermostatic head	Price
03	Satin	LUX2GS0203CFK	543 zł	LUX2GS10103CFK	568 zł
08	Nickel-grinded	LUX2GS0208CFK	543 zł	LUX2GS10108CFK	568 zł
10	Dark sand structural	LUX2GS0210CFK	503 zł	LUX2GS10110CFK	525 zł
11	Antique brass	LUX2GS0211CFK	543 zł	LUX2GS10111CFK	568 zł
17	Gray metallic	LUX2GS0217CFK	503 zł	LUX2GS10117CFK	525 zł

Additionally, it is possible to order sets with connectors for PEX or Cu. The fittings are an integral part of the valve (when ordering, add (PEX) or (Cu) at the end of the catalog number). Example: LUX2GS10121CFK(PEX).

EXCLUSIVE SETS

PREMIUM EXCLUSIVE



„Premium Exclusive“ thermostatic set, angular version, GW ¾" / M22x1.5 external thread.

The set includes: „Premium Exclusive“ thermostatic valve, „Prestige“ or „Tucan“ thermostatic head, fittings on PEX or Cu.

Colors with delivery time 1-7 days

No	Color	With PRESTIGE thermostatic head	Price	With TUCAN thermostatic head	Price
02	Chrome	PREGS0202C/FK (PEX) / (Cu)	292 zł	PREGS10102C/FK (PEX) / (Cu)	313 zł
05	Structural graphite	PREGS0205C/FK (PEX) / (Cu)	318 zł	PREGS10105C/FK (PEX) / (Cu)	339 zł
06	White	PREGS0206C/FK (PEX) / (Cu)	292 zł	PREGS10106C/FK (PEX) / (Cu)	313 zł
07	Glossy anth./Graph.	PREGS0207C/FK (PEX) / (Cu)	318 zł	PREGS10107C/FK (PEX) / (Cu)	339 zł
12	Metallic graphite	PREGS0212C/FK (PEX) / (Cu)	318 zł	PREGS10112C/FK (PEX) / (Cu)	339 zł
13	Glossy black	PREGS0213C/FK (PEX) / (Cu)	318 zł	PREGS10113C/FK (PEX) / (Cu)	339 zł
14	Structural black	PREGS0214C/FK (PEX) / (Cu)	318 zł	PREGS10114C/FK (PEX) / (Cu)	339 zł
15	Dark str. graphite	PREGS0215C/FK (PEX) / (Cu)	318 zł	PREGS10115C/FK (PEX) / (Cu)	339 zł
19	Structural white	PREGS0219C/FK (PEX) / (Cu)	318 zł	PREGS10119C/FK (PEX) / (Cu)	339 zł
21	Matt white	PREGS0221C/FK (PEX) / (Cu)	318 zł	PREGS10121C/FK (PEX) / (Cu)	339 zł
24	Matt black	PREGS0224C/FK (PEX) / (Cu)	318 zł	PREGS10124C/FK (PEX) / (Cu)	339 zł

Colors with delivery time 4-6 weeks

No	Color	With PRESTIGE thermostatic head	Price	With TUCAN thermostatic head	Price
03	Satin	PREGS0203C/FK (PEX) / (Cu)	357 zł	PREGS10103C/FK (PEX) / (Cu)	382 zł
08	Nickel-grinded	PREGS0208C/FK (PEX) / (Cu)	357 zł	PREGS10108C/FK (PEX) / (Cu)	382 zł
10	Dark sand structural	PREGS0210C/FK (PEX) / (Cu)	318 zł	PREGS10110C/FK (PEX) / (Cu)	339 zł
11	Antique brass	PREGS0211C/FK (PEX) / (Cu)	357 zł	PREGS10111C/FK (PEX) / (Cu)	382 zł
17	Gray metallic	PREGS0217C/FK (PEX) / (Cu)	318 zł	PREGS10117C/FK (PEX) / (Cu)	339 zł

Additionally, it is possible to select reduction nipples ¾" x ½" for the valves.

Example: PRENYGS10124C/FK (PEX).



The photo shows the TWINS GLAMOR thermostatic set left version

RTL SETS

Underfloor heating has many advantages: the heated floor lasts for a long time, the floors in the bathroom dry quickly, and the method of heat distribution from such heating allows you to reduce the temperature in the room by around 2° while maintaining a sense of thermal comfort. In addition, heating is considered the best for our health.

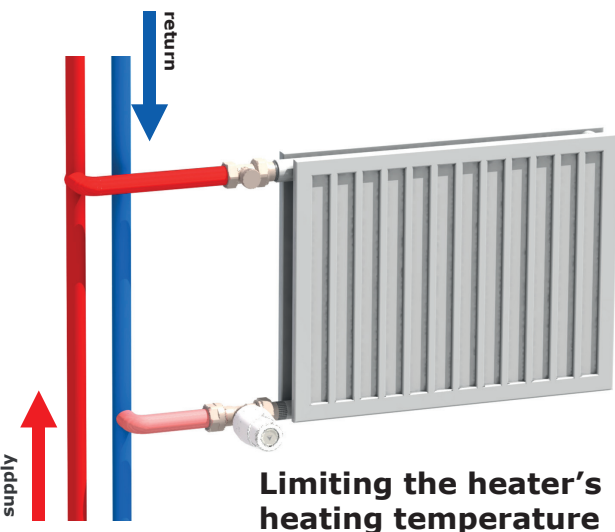
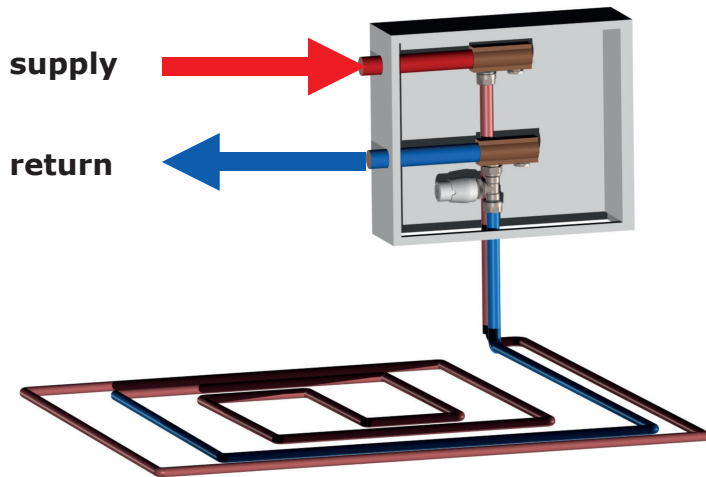
Underfloor heating is a very good solution, but if the area of rooms designed for this type of installation is small, its installation may be unprofitable. Sometimes users just want to „warm” the floor from cold material, such as stoneware, despite the use of traditional radiators. It is worth considering another option: integrated heating.



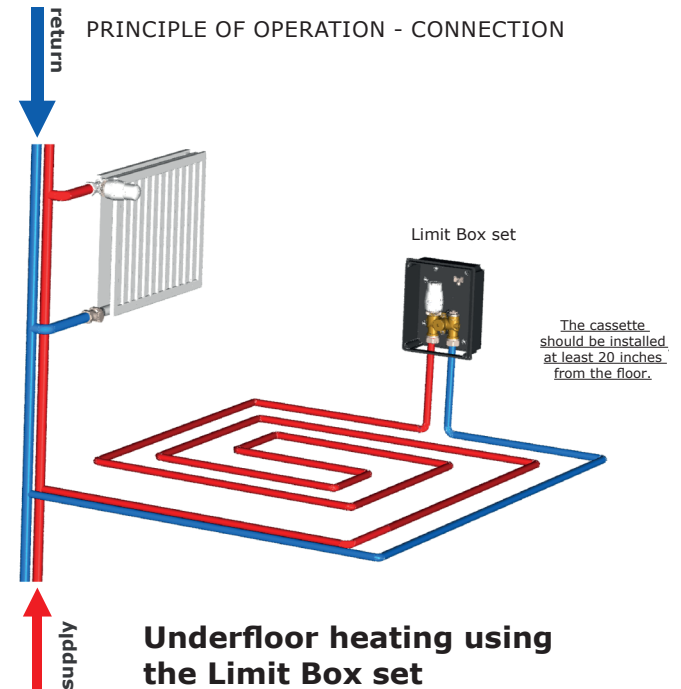
Integrated heating product line

The principle of its operation is to limit the water temperature at the heater return and / or in the under-floor heating loop (**up to 15m²**). The use of the above limiter will maintain a constant temperature of the heating medium return in the range from 10°C to 50°C, additionally eliminating the need to install a mixing valve and an additional circulation pump.

Operating principle - connections, for examples of applications:



Return temperature limitation



LIMIT BOX OF TYPE „T”



Covered RTL head and uncovered Picco th. head ZKRTL06 427 zł

„Limit Box RTL” set with GZ ¾ output for PEX / Cu adapters. It has been designed to regulate the temperature of small surfaces of underfloor heating (thanks to the RTL head), and thanks to an additional classic thermostatic head, we also control the ambient temperature.

The set includes: „Limit Box RTL” integrated valve, „Prestige RTL” head, „Picco” thermostatic head, LimitBox, bleed key, PEX 16x2 / GZ connectors ¾.

LIMIT BOX OF TYPE „O”



Uncovered RTL head ZKORTL06 337 zł

„Limit Box RTL” set with GZ ¾ output for PEX / Cu adapters. It has been designed to regulate the temperature of small areas of underfloor heating. It is perfect for connecting a newly made underfloor heating installation, but also to an existing radiator installation.

The set includes: „Limit Box RTL” integrated valve, „Prestige RTL” head, Limit Box, bleed key, PEX 16x2 / GZ connectors ¾.

LIMIT BOX OF TYPE „Z”



Covered RTL head ZKZRTL06 306 zł

„Limit Box RTL” set with GZ ¾ output for PEX / Cu adapters. It has been designed to regulate the temperature of small areas of underfloor heating. It is perfect for connecting a newly made underfloor heating installation, but also to an existing radiator installation.

The set includes: „Limit Box RTL” integrated valve, „Prestige RTL” head, Limit Box, bleed key, PEX 16x2 / GZ connectors ¾.

STANDARD RTL



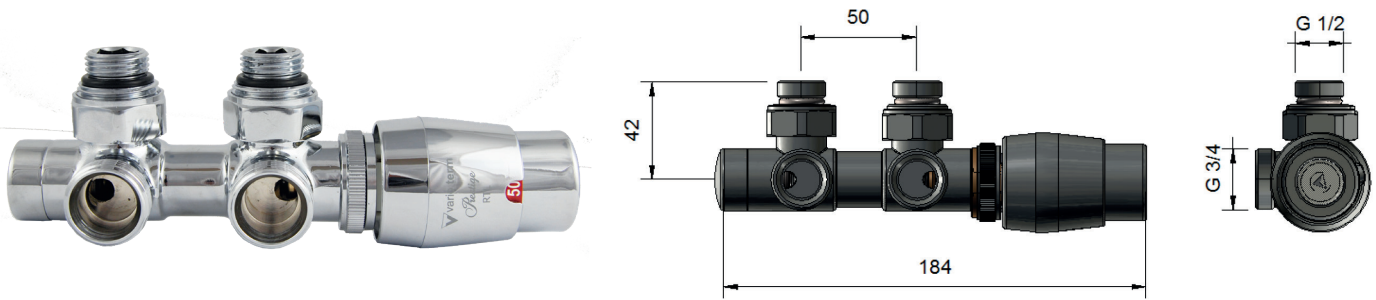
Nickel ZRTL06/K, ZRTL06/P 154 zł

RTL Set STANDRAD version (straight or angular), with connection for Pex/Cu adapters, designed for limiting the temperature on the return side of the radiator or for temperature regulation on small floor heating installations (up to 15m²).

The set includes: „Standard RTL” valve, „Prestige RTL” head.

RTL SETS

TWINS RTL

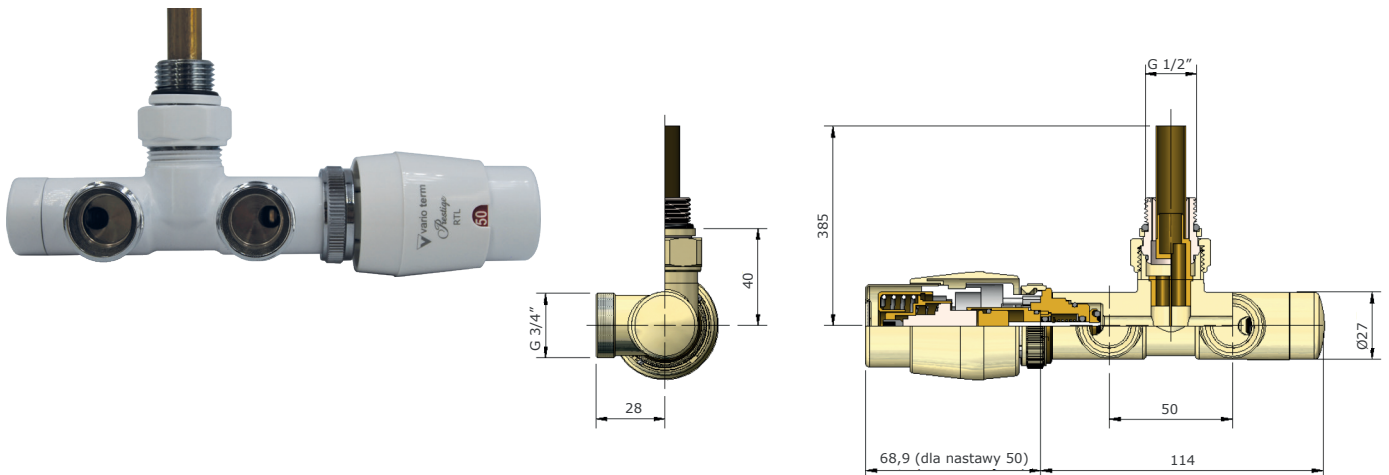


Set for underfloor heating „Twins RTL“, right or left, GZ 3/4" / GZ 3/4". The distance between the connections to the installation is 50 mm.

The kit is used to limit the return temperature of the radiator or to regulate the temperature for small surfaces of underfloor heating (up to 15 m²).

The set includes: „Twins RTL“ connection, „Prestige RTL“ head, reduction nipples.

UNICO RTL

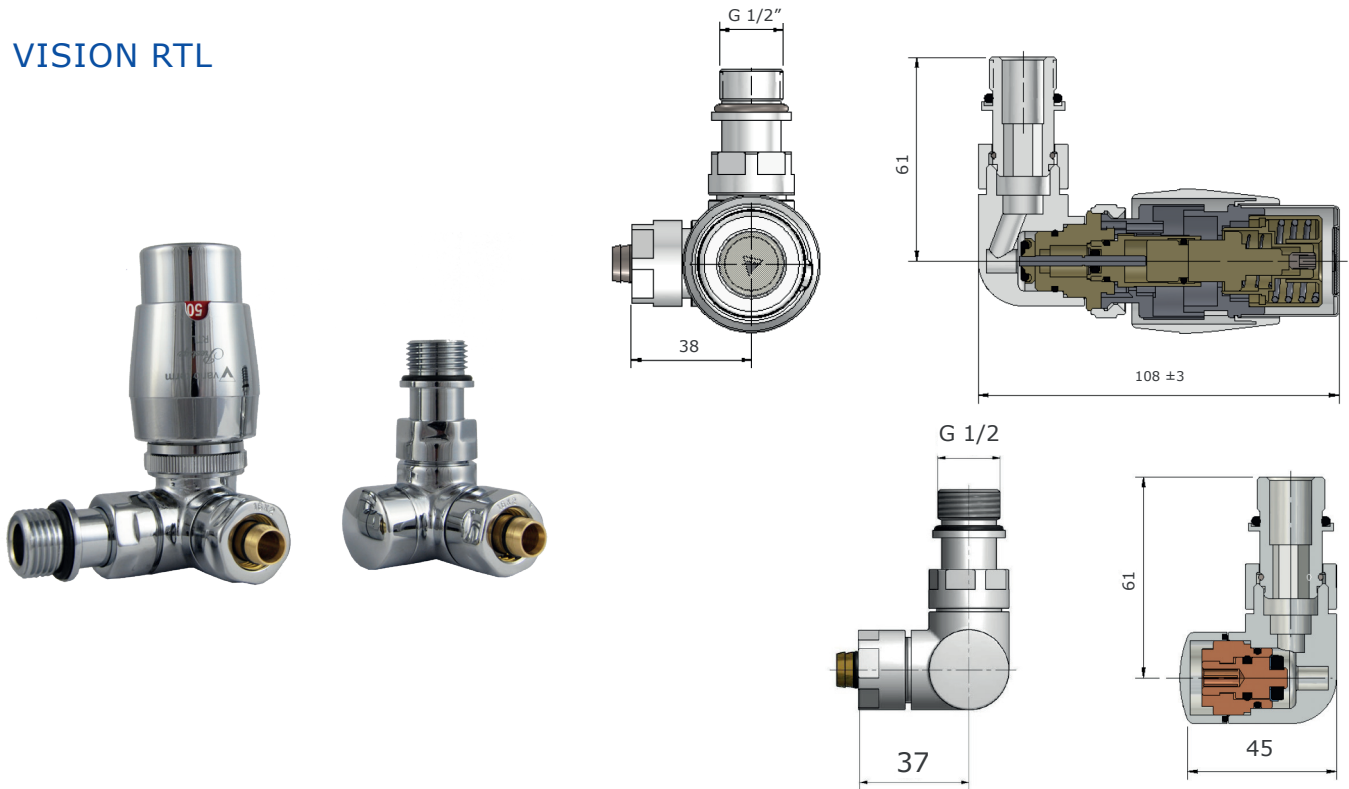


Set for underfloor heating „Unico RTL“, right or left, GZ 1/2" / GZ 3/4" x GZ 3/4". The distance between the connections to the installation is 50 mm.

Specially designed for radiators that allow the use of an electric heater. The kit is used to limit the return temperature of the radiator or to regulate the temperature for small surfaces of underfloor heating (up to 15 m²).

The set includes: „Unico RTL“ connection, immersion tube, „Prestige RTL“ head.

VISION RTL

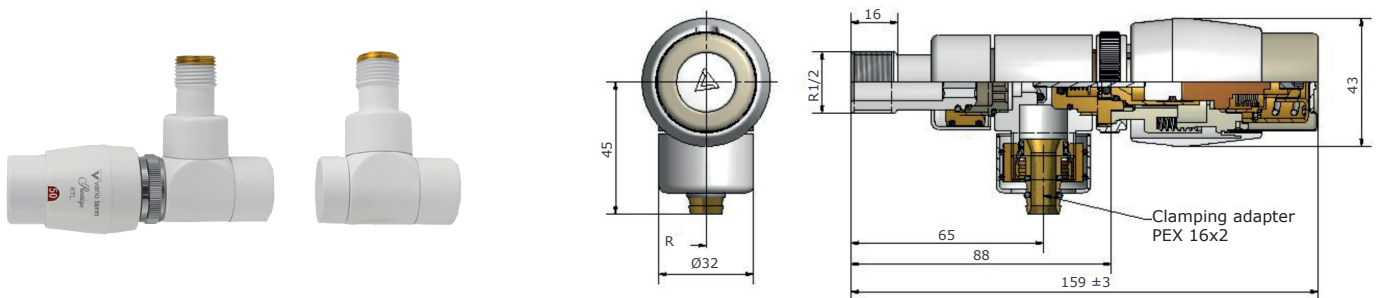


Set for underfloor heating „Vision RTL“, right or left, GZ ½” / GZ M22x1.5.

The kit is used to limit the return temperature of the radiator or to regulate the temperature for small surfaces of underfloor heating (up to 15 m²).

The set includes: „Vision RTL“ supply valve, „Vision RTL“ shut-off valve, „Prestige RTL“ head.

LUX II RTL



Set for underfloor heating „Lux II RTL“, angular, GW ½” / GZ ½”.

The kit is used to limit the return temperature of the radiator or to regulate the temperature for small surfaces of underfloor heating (up to 15 m²).

The set includes: „Lux II RTL“ supply valve, „Lux II RTL“ shut-off valve, „Prestige RTL“ head.

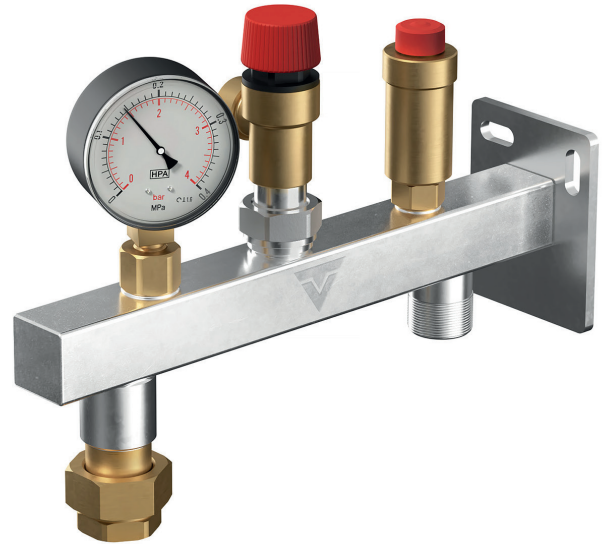
In order to receive an offer, please contact the office or the Vario Term Export Department.

PRODUCTS FOR INSTALLATION HEATING AND WATER

THE VARIOPROTECT SAFETY GROUP

Technical data:

Dimensions	270 x 190 x 70
Work temperature	max 90°C
Nominal pressure safety valve	3 bar
Vessel quick coupler diaphragmatic	GW ¾"
Installation connection	GZ ¾"
Working range of the manometer	0 - 4 bar



Catalog number	Type	Price
GBC03B	Safety group c.h. 3 bar	325 zł

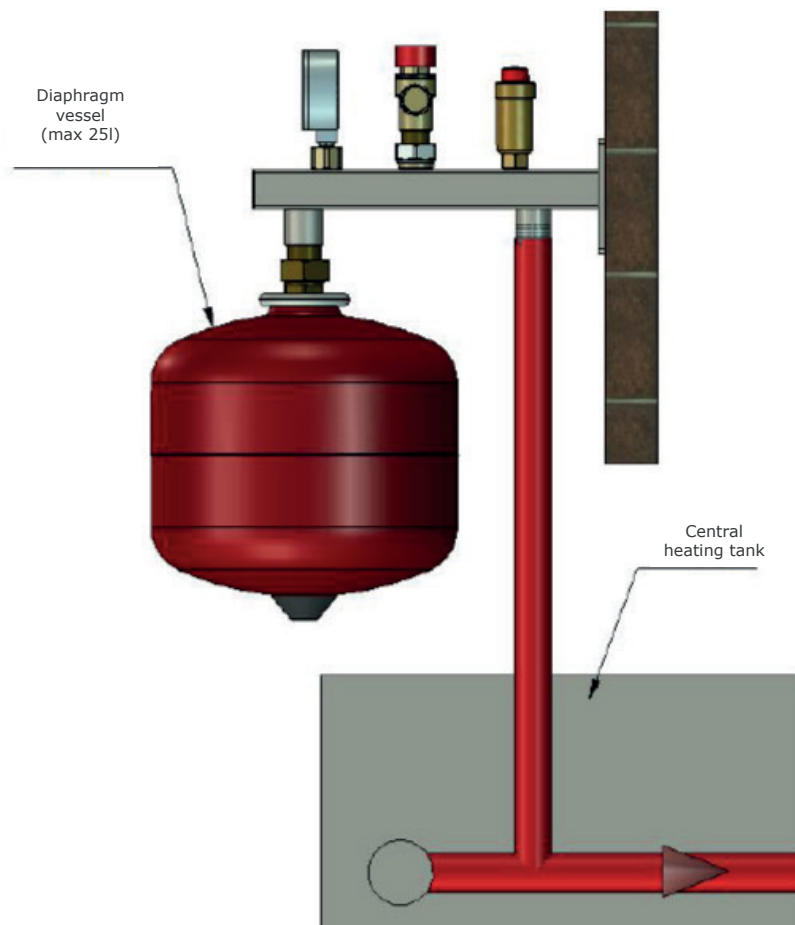
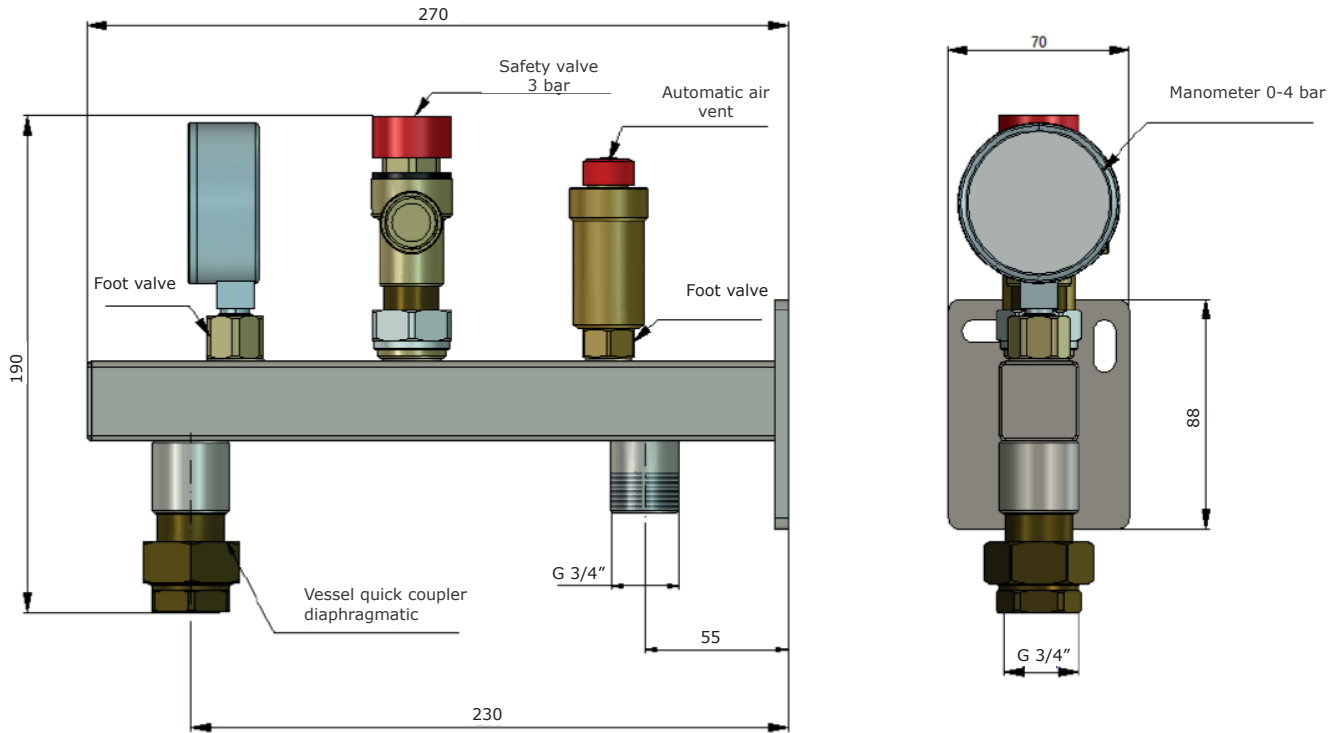
The security group is a ready set designed to protect central heating installations against excessive increase in water volume and pressure. The set is prepared for simple mounting to the wall of the room, guaranteeing the safety and comfort of using the central heating system.

The galvanized steel beam is equipped with a quick coupler with a foot valve for assembly diaphragm expansion vessel (the set does not include the vessel), allowing quick and easy checking the technical condition of the vessel, without the need to empty the system. The safety valve, which is characterized by high discharge capacity at the valve opening pressure of 3 bar, protects against excessive pressure increase in the system. This valve is equipped with a connection that allows you to change the direction of the water discharge. In order to minimize the phenomenon of corrosion, an automatic air vent was used in the installation with a foot valve, guaranteeing stable operation of the system.

To increase the comfort of use, a pressure gauge (Ø 63) in the range of 0-4 bar with a foot valve has been installed to control the pressure in the system.

PRODUCTS FOR INSTALLATION HEATING AND WATER

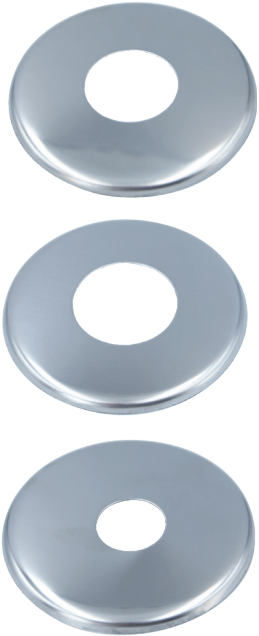
DIMENSIONS / CONSTRUCTION



MASKING ACCESSORIES

SINGLE MASKING ROSETTE

Round, flat masking rosette. It is available in three configurations: 1/2" (Ø 22 mm), 3/4" (Ø 25 mm), 3/8" (Ø 16 mm).



Colors with delivery time 1-7 days

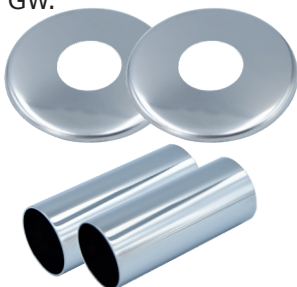
No	Color	1/2" (Ø 22 mm)	3/4" (Ø 25 mm)	3/8" (Ø 16 mm)	Price
02	Chrome	000M820A002	000M821A002	000M822A002	25 zł
05	Structural graphite	000M820A005	000M821A005	000M822A005	31 zł
06	White	000M820A006	000M821A006	000M822A006	25 zł
07	Glossy anth./Graph.	000M820A007	000M821A007	000M822A007	31 zł
12	Metallic graphite	000M820A012	000M821A012	000M822A012	31 zł
13	Glossy black	000M820A013	000M821A013	000M822A013	31 zł
14	Structural black	000M820A014	000M821A014	000M822A014	31 zł
15	Dark str. graphite	000M820A015	000M821A015	000M822A015	31 zł
19	Structural white	000M820A019	000M821A019	000M822A019	31 zł
21	Matt white	000M820A021	000M821A021	000M822A021	31 zł
24	Matt black	000M820A024	000M821A024	000M822A024	31 zł

Colors with delivery time 4-6 weeks

No	Color	1/2" (Ø 22 mm)	3/4" (Ø 25 mm)	3/8" (Ø 16 mm)	Price
03	Satin	000M820A003	000M821A003	000M822A003	37 zł
08	Nickel-grinded	000M820A008	000M821A008	000M822A008	37 zł
10	Dark sand structural	000M820A010	000M821A010	000M822A010	31 zł
11	Antique brass	000M820A011	000M821A011	000M822A011	37 zł
17	Gray metallic	000M820A017	000M821A017	000M822A017	31 zł

MASKING SET WITH SINGLE ROSETTE

The set includes: 2 x rosette 3/4"*, 2 x silicone gaskets**, 2 x masking sleeve 50 mm*, 2 x adapter / compression fitting PEX / Cu / GZ / GW.



Valve fittings:
VISION
INTEGRA
PREMIUM EXCLUSIVE



Colors with delivery time 1-7 days

No	Color	PEX	Cu	GZ (PEX)	GZ (Cu)	Price
02	Chrome	ZMR1P16xM2202	ZMR1M15xM2202	ZMR1GZ1/2x1602	ZMR1GZ1/2x1502	116 zł
05	Structural graphite	ZMR1P16xM2205	ZMR1M15xM2205	ZMR1GZ1/2x1605	ZMR1GZ1/2x1505	129 zł
06	White	ZMR1P16xM2206	ZMR1M15xM2206	ZMR1GZ1/2x1606	ZMR1GZ1/2x1506	116 zł
07	Glossy anth./Graph.	ZMR1P16xM2207	ZMR1M15xM2207	ZMR1GZ1/2x1607	ZMR1GZ1/2x1507	129 zł
12	Metallic graphite	ZMR1P16xM2212	ZMR1M15xM2212	ZMR1GZ1/2x1612	ZMR1GZ1/2x1512	129 zł
13	Glossy black	ZMR1P16xM2213	ZMR1M15xM2213	ZMR1GZ1/2x1613	ZMR1GZ1/2x1513	129 zł
14	Structural black	ZMR1P16xM2214	ZMR1M15xM2214	ZMR1GZ1/2x1614	ZMR1GZ1/2x1514	129 zł
15	Dark str. graphite	ZMR1P16xM2215	ZMR1M15xM2215	ZMR1GZ1/2x1615	ZMR1GZ1/2x1515	129 zł
19	Structural white	ZMR1P16xM2219	ZMR1M15xM2219	ZMR1GZ1/2x1619	ZMR1GZ1/2x1519	129 zł
21	Matt white	ZMR1P16xM2221	ZMR1M15xM2221	ZMR1GZ1/2x1621	ZMR1GZ1/2x1521	129 zł
24	Matt black	ZMR1P16xM2224	ZMR1M15xM2224	ZMR1GZ1/2x1624	ZMR1GZ1/2x1524	129 zł

Colors with delivery time 4-6 weeks

No	Color	PEX	Cu	GZ (PEX)	GZ (Cu)	Price
03	Satin	ZMR1P16xM2203	ZMR1M15xM2203	ZMR1GZ1/2x1603	ZMR1GZ1/2x1503	155 zł
08	Nickel-grinded	ZMR1P16xM2208	ZMR1M15xM2208	ZMR1GZ1/2x1608	ZMR1GZ1/2x1508	155 zł
10	Dark sand structural	ZMR1P16xM2210	ZMR1M15xM2210	ZMR1GZ1/2x1610	ZMR1GZ1/2x1510	129 zł
11	Antique brass	ZMR1P16xM2211	ZMR1M15xM2211	ZMR1GZ1/2x1611	ZMR1GZ1/2x1511	155 zł
17	Gray metallic	ZMR1P16xM2217	ZMR1M15xM2217	ZMR1GZ1/2x1617	ZMR1GZ1/2x1517	129 zł

MASKING ACCESSORIES

SINGLE SQUARE MASKING ROSETTE

Masking, square, flat rosette. It is available in three configurations: 1/2" (Ø 22 mm), 3/4" (Ø 25 mm), 3/8" (Ø 16 mm).



Colors with delivery time 1-7 days

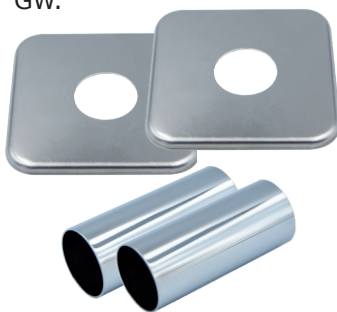
No	Color	1/2" (Ø 22 mm)	3/4" (Ø 25 mm)	3/8" (Ø 16 mm)	Price
02	Chrome	000M826A002	000M826A202	000M826A102	31 zł
05	Structural graphite	000M826A005	000M826A205	000M826A105	37 zł
06	White	000M826A006	000M826A206	000M826A106	31 zł
07	Glossy anth./Graph.	000M826A007	000M826A207	000M826A107	37 zł
12	Metallic graphite	000M826A012	000M826A212	000M826A112	43 zł
13	Glossy black	000M826A013	000M826A213	000M826A113	37 zł
14	Structural black	000M826A014	000M826A214	000M826A114	37 zł
15	Dark str. graphite	000M826A015	000M826A215	000M826A115	37 zł
19	Structural white	000M826A019	000M826A219	000M826A119	37 zł
21	Matt white	000M826A021	000M826A221	000M826A121	37 zł
24	Matt black	000M826A024	000M826A224	000M826A124	37 zł

Colors with delivery time 4-6 weeks

No	Color	1/2" (Ø 22 mm)	3/4" (Ø 25 mm)	3/8" (Ø 16 mm)	Price
03	Satin	000M826A003	000M826A203	000M826A103	43 zł
08	Nickel-grinded	000M826A008	000M826A208	000M826A108	43 zł
10	Dark sand structural	000M826A010	000M826A210	000M826A110	37 zł
11	Antique brass	000M826A011	000M826A211	000M826A111	43 zł
17	Gray metallic	000M826A017	000M826A217	000M826A117	37 zł

MASKING SET WITH SINGLE SQUARE ROSETTE

The set includes: 2 x rosette 3/4"**, 2 x silicone gaskets **, 2 x masking sleeve 50 mm *, 2 x adapter / compression fitting PEX / Cu / GZ / GW.



Valve fittings:
VISION
INTEGRA
PREMIUM EXCLUSIVE



Colors with delivery time 1-7 days

No	Color	PEX	Cu	GZ (PEX)	GZ (Cu)	Price
02	Chrome	ZMR1K16xM2202	ZMR1KM15xM2202	ZMR1KGZ1/2x1602	ZMR1KGZ1/2x1502	127 zł
05	Structural graphite	ZMR1K16xM2205	ZMR1KM15xM2205	ZMR1KGZ1/2x1605	ZMR1KGZ1/2x1505	142 zł
06	White	ZMR1K16xM2206	ZMR1KM15xM2206	ZMR1KGZ1/2x1606	ZMR1KGZ1/2x1506	127 zł
07	Glossy anth./Graph.	ZMR1K16xM2207	ZMR1KM15xM2207	ZMR1KGZ1/2x1607	ZMR1KGZ1/2x1507	142 zł
12	Metallic graphite	ZMR1K16xM2212	ZMR1KM15xM2212	ZMR1KGZ1/2x1612	ZMR1KGZ1/2x1512	142 zł
13	Glossy black	ZMR1K16xM2213	ZMR1KM15xM2213	ZMR1KGZ1/2x1613	ZMR1KGZ1/2x1513	142 zł
14	Structural black	ZMR1K16xM2214	ZMR1KM15xM2214	ZMR1KGZ1/2x1614	ZMR1KGZ1/2x1514	142 zł
15	Dark str. graphite	ZMR1K16xM2215	ZMR1KM15xM2215	ZMR1KGZ1/2x1615	ZMR1KGZ1/2x1515	142 zł
19	Structural white	ZMR1K16xM2219	ZMR1KM15xM2219	ZMR1KGZ1/2x1619	ZMR1KGZ1/2x1519	142 zł
21	Matt white	ZMR1K16xM2221	ZMR1KM15xM2221	ZMR1KGZ1/2x1621	ZMR1KGZ1/2x1521	142 zł
24	Matt black	ZMR1K16xM2224	ZMR1KM15xM2224	ZMR1KGZ1/2x1624	ZMR1KGZ1/2x1524	142 zł

Colors with delivery time 4-6 weeks

No	Color	PEX	Cu	GZ (PEX)	GZ (Cu)	Price
03	Satin	ZMR1K16xM2203	ZMR1KM15xM2203	ZMR1KGZ1/2x1603	ZMR1KGZ1/2x1503	168 zł
08	Nickel-grinded	ZMR1K16xM2208	ZMR1KM15xM2208	ZMR1KGZ1/2x1608	ZMR1KGZ1/2x1508	168 zł
10	Dark sand structural	ZMR1K16xM2210	ZMR1KM15xM2210	ZMR1KGZ1/2x1610	ZMR1KGZ1/2x1510	142 zł
11	Antique brass	ZMR1K16xM2211	ZMR1KM15xM2211	ZMR1KGZ1/2x1611	ZMR1KGZ1/2x1511	168 zł
17	Gray metallic	ZMR1K16xM2217	ZMR1KM15xM2217	ZMR1KGZ1/2x1617	ZMR1KGZ1/2x1517	142 zł

* Different sleeve lengths and rosettes configuration for individual orders.
** Silicone gaskets included with 3/4" rosettes only.

MASKING ACCESSORIES

DOUBLE MASKING ROSETTE

Double flat masking rosette for valves with a spacing of 50 mm round. It is available in three configurations: 1/2" (Ø 22 mm), 3/4" (Ø 25 mm), 3/8" (Ø 16 mm).



Colors with delivery time 1-7 days

No	Color	1/2" (Ø 22 mm)	3/4" (Ø 25 mm)	3/8" (Ø 16 mm)	Price
02	Chrome	000M823A002	000M823A202	000M823A102	40 zł
05	Structural graphite	000M823A005	000M823A205	000M823A105	46 zł
06	White	000M823A006	000M823A206	000M823A106	40 zł
07	Glossy anth./Graph.	000M823A007	000M823A207	000M823A107	46 zł
12	Metallic graphite	000M823A012	000M823A212	000M823A112	46 zł
13	Glossy black	000M823A013	000M823A213	000M823A113	46 zł
14	Structural black	000M823A014	000M823A214	000M823A114	46 zł
15	Dark str. graphite	000M823A015	000M823A215	000M823A115	46 zł
19	Structural white	000M823A019	000M823A219	000M823A119	46 zł
21	Matt white	000M823A021	000M823A221	000M823A121	46 zł
24	Matt black	000M823A024	000M823A224	000M823A124	46 zł

Colors with delivery time 4-6 weeks

No	Color	1/2" (Ø 22 mm)	3/4" (Ø 25 mm)	3/8" (Ø 16 mm)	Price
03	Satin	000M823A003	000M823A203	000M823A103	53 zł
08	Nickel-grinded	000M823A008	000M823A208	000M823A108	53 zł
10	Dark sand structural	000M823A010	000M823A210	000M823A110	46 zł
11	Antique brass	000M823A011	000M823A211	000M823A111	53 zł
17	Gray metallic	000M823A017	000M823A217	000M823A117	46 zł

MASKING SET WITH DOUBLE ROSETTE

The set includes:

- 1 x double rosette 3/4"**,
- 2 x silicone gaskets**,
- 2 x masking sleeve 50mm*,
- 2 x PEX or Cu compression fittings.



Colors with delivery time 1-7 days

No	Color	PEX	Cu	Price
02	Chrome	ZMR2P16x3/402	ZMR2M15x3/402	116 zł
05	Structural graphite	ZMR2P16x3/405	ZMR2M15x3/405	129 zł
06	White	ZMR2P16x3/406	ZMR2M15x3/406	116 zł
07	Glossy anth./Graph.	ZMR2P16x3/407	ZMR2M15x3/407	129 zł
12	Metallic graphite	ZMR2P16x3/412	ZMR2M15x3/412	129 zł
13	Glossy black	ZMR2P16x3/413	ZMR2M15x3/413	129 zł
14	Structural black	ZMR2P16x3/414	ZMR2M15x3/414	129 zł
15	Dark str. graphite	ZMR2P16x3/415	ZMR2M15x3/415	129 zł
19	Structural white	ZMR2P16x3/419	ZMR2M15x3/419	129 zł
21	Matt white	ZMR2P16x3/421	ZMR2M15x3/421	129 zł
24	Matt black	ZMR2P16x3/424	ZMR2M15x3/424	129 zł

Colors with delivery time 4-6 weeks

No	Color	PEX	Cu	Price
03	Satin	ZMR2P16x3/403	ZMR2M15x3/403	155 zł
08	Nickel-grinded	ZMR2P16x3/408	ZMR2M15x3/408	155 zł
10	Dark sand structural	ZMR2P16x3/410	ZMR2M15x3/410	129 zł
11	Antique brass	ZMR2P16x3/411	ZMR2M15x3/411	155 zł
17	Gray metallic	ZMR2P16x3/417	ZMR2M15x3/417	129 zł

Valve fittings:

TWINS, UNICO, TYPU V ELEGANT.

MASKING ACCESSORIES

DOUBLE RECTANGULAR MASKING ROSETTE

Double rectangular flat masking rosette for valves with a spacing of 50 mm.

It is available in three configurations:

1/2" (Ø 22 mm), 3/4" (Ø 25 mm), 3/8" (Ø 16 mm).



Colors with delivery time 1-7 days

No	Color	1/2" (Ø 22 mm)	3/4" (Ø 25 mm)	3/8" (Ø 16 mm)	Price
02	Chrome	000M825A002	000M825A202	000M825A102	45 zł
05	Structural graphite	000M825A005	000M825A205	000M825A105	53 zł
06	White	000M825A006	000M825A206	000M825A106	45 zł
07	Glossy anth./Graph.	000M825A007	000M825A207	000M825A107	53 zł
12	Metallic graphite	000M825A012	000M825A212	000M825A112	53 zł
13	Glossy black	000M825A013	000M825A213	000M825A113	53 zł
14	Structural black	000M825A014	000M825A214	000M825A114	53 zł
15	Dark str. graphite	000M825A015	000M825A215	000M825A115	53 zł
19	Structural white	000M825A019	000M825A219	000M825A119	53 zł
21	Matt white	000M825A021	000M825A221	000M825A120	53 zł
24	Matt black	000M825A024	000M825A224	000M825A121	53 zł

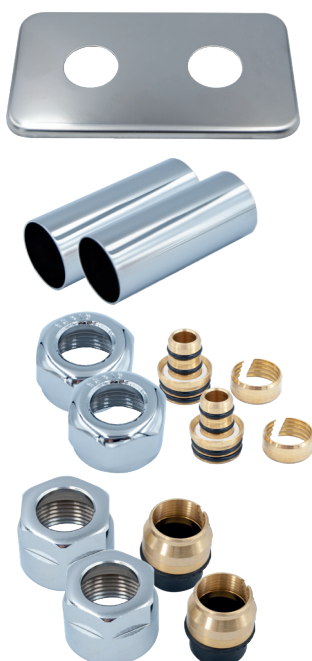
Colors with delivery time 4-6 weeks

No	Color	1/2" (Ø 22 mm)	3/4" (Ø 25 mm)	3/8" (Ø 16 mm)	Price
03	Satin	000M825A003	000M825A203	000M825A103	58 zł
08	Nickel-grinded	000M825A008	000M825A208	000M825A108	58 zł
10	Dark sand structural	000M825A010	000M825A210	000M825A110	53 zł
11	Antique brass	000M825A011	000M825A211	000M825A111	58 zł
17	Gray metallic	000M825A017	000M825A217	000M825A117	53 zł

MASKING SET WITH DOUBLE RECTANGULAR ROSETTE

The set includes:

1 x double rectangular rosette 3/4" *, 2 x silicone gaskets **, 2 x masking sleeve 50 mm *, 2 x PEX or Cu compression fittings.



Colors with delivery time 1-7 days

No	Color	PEX	CU	Price
02	Chrome	ZMRP2P16x3/402	ZMRP2M15x3/402	118 zł
05	Structural graphite	ZMRP2P16x3/405	ZMRP2M15x3/405	131 zł
06	White	ZMRP2P16x3/406	ZMRP2M15x3/406	118 zł
07	Glossy anth./Graph.	ZMRP2P16x3/407	ZMRP2M15x3/407	131 zł
12	Metallic graphite	ZMRP2P16x3/412	ZMRP2M15x3/412	131 zł
13	Glossy black	ZMRP2P16x3/413	ZMRP2M15x3/413	131 zł
14	Structural black	ZMRP2P16x3/414	ZMRP2M15x3/414	131 zł
15	Dark str. graphite	ZMRP2P16x3/415	ZMRP2M15x3/415	131 zł
19	Structural white	ZMRP2P16x3/419	ZMRP2M15x3/419	131 zł
21	Matt white	ZMRP2P16x3/421	ZMRP2M15x3/421	131 zł
24	Matt black	ZMRP2P16x3/424	ZMRP2M15x3/424	131 zł

Colors with delivery time 4-6 weeks

No	Color	PEX	CU	Price
03	Satin	ZMRP2P16x3/403	ZMRP2M15x3/403	156 zł
08	Nickel-grinded	ZMRP2P16x3/408	ZMRP2M15x3/408	156 zł
10	Dark sand structural	ZMRP2P16x3/410	ZMRP2M15x3/410	131 zł
11	Antique brass	ZMRP2P16x3/411	ZMRP2M15x3/411	156 zł
17	Gray metallic	ZMRP2P16x3/417	ZMRP2M15x3/417	131 zł

Valve fittings:

TWINS, UNICO, TYPU V ELEGANT.

* Different sleeve lengths and rosettes configuration for individual orders.

** Silicone gaskets included with 3/4" rosettes only.

CONNECTION ACCESSORIES

EXTENSION

Extensions 50 mm* long in configurations:
GZ½" x GZ½",
GZ½"x22x1.5 GW, GZ½"x-
GW½" for valves with
installation thread ½".

Extensions GZ½" x GZ½"
and GZ½" x GW½" adapted
to the valve:

AXI ELEGANCKI,
BALL
ELEGANT
MASTER
ROYAL
SWING
LUX I



Extension GZ½" x M22x1.5
GW adapted to valves:
PREMIUM EXCLUSIVE
VISION
INTEGRA



Colors with delivery time 1-7 days

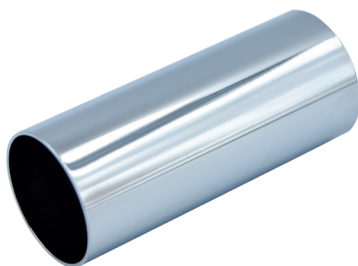
No	Color	GZ½" x GZ½"	GZ½" x M22x1,5GW	GZ½" x GW½"	Price
02	Chrome	000M830A0250	000M831A0250	000M832A0250	41 zł
05	Structural graphite	000M830A0550	000M831A0550	000M832A0550	48 zł
06	White	000M830A0650	000M831A0650	000M832A0650	41 zł
07	Glossy anth./Graph.	000M830A0750	000M831A0750	000M832A0750	48 zł
12	Metallic graphite	000M830A1250	000M831A1250	000M832A1250	48 zł
13	Glossy black	000M830A1350	000M831A1350	000M832A1350	48 zł
14	Structural black	000M830A1450	000M831A1450	000M832A1450	48 zł
15	Dark str. graphite	000M830A1550	000M831A1550	000M832A1550	48 zł
19	Structural white	000M830A1950	000M831A1950	000M832A1950	48 zł
21	Matt white	000M830A2150	000M831A2150	000M832A2150	48 zł
24	Matt black	000M830A2450	000M831A2450	000M832A2450	48 zł

Colors with delivery time 4-6 weeks

No	Color	GZ½" x GZ½"	GZ½" x M22x1,5GW	GZ½" x GW½"	Price
03	Satin	000M830A0350	000M831A0350	000M832A0350	54 zł
08	Nickel-grinded	000M830A0850	000M831A0850	000M832A0850	54 zł
10	Dark sand structural	000M830A1050	000M831A1050	000M832A1050	48 zł
11	Antique brass	000M830A1150	000M831A1150	000M832A1150	54 zł
17	Gray metallic	000M830A1750	000M831A1750	000M832A1750	48 zł

COVERING SLEEVE

Masking sleeve 50 mm*
(Ø 21 mm) for masking PEX
(16x2) or CU (15x1) pipes.
Installation can be carried
out before connecting the
radiator to the installation.



Colors with delivery time 1-7 days

No	Color	50 mm	Price
02	Chrome	000M840A0250	20 zł
05	Structural graphite	000M840A0550	26 zł
06	White	000M840A0650	20 zł
07	Glossy anth./Graph.	000M840A0750	26 zł
12	Metallic graphite	000M840A1250	26 zł
13	Glossy black	000M840A1350	26 zł
14	Structural black	000M840A1450	26 zł
15	Dark str. graphite	000M840A1550	26 zł
19	Structural white	000M840A1950	26 zł
21	Matt white	000M840A2150	26 zł
24	Matt black	000M840A2450	26 zł

Colors with delivery time 4-6 weeks

No	Color	50 mm	Price
03	Satin	000M840A0350	32 zł
08	Nickel-grinded	000M840A0850	32 zł
10	Dark sand structural	000M840A1050	26 zł
11	Antique brass	000M840A1150	32 zł
17	Gray metallic	000M840A1750	26 zł

CONNECTION ACCESSORIES

CONNECTION / CLAMPING ADAPTER M22x1,5

Colors with delivery time 1-7 days

No	Color	PEX	Cu	Price	GZ	GW	Price
02	Chrome	M766B002002	M766B004002	22 zł	M766B001002	M766B003002	27 zł
05	Structural graphite	M766B002005	M766B004005	23 zł	M766B001005	M766B003005	35 zł
06	White	M766B002006	M766B004006	22 zł	M766B001006	M766B003006	27 zł
07	Glossy anth./Graph.	M766B002007	M766B004007	23 zł	M766B001007	M766B003007	35 zł
12	Metallic graphite	M766B002012	M766B004012	23 zł	M766B001012	M766B003012	35 zł
13	Glossy black	M766B002013	M766B004013	23 zł	M766B001013	M766B003013	35 zł
14	Structural black	M766B002014	M766B004014	23 zł	M766B001014	M766B003014	35 zł
15	Dark str. graphite	M766B002015	M766B004015	23 zł	M766B001015	M766B003015	35 zł
19	Structural white	M766B002019	M766B004019	23 zł	M766B001019	M766B003019	35 zł
21	Matt white	M766B002021	M766B004021	23 zł	M766B001021	M766B003021	35 zł
24	Matt black	M766B002024	M766B004024	23 zł	M766B001024	M766B003024	35 zł

Colors with delivery time 4-6 weeks

No	Color	PEX	Cu	Price	GZ	GW	Price
03	Satin	M766B002003	M766B004003	26 zł	M766B001003	M766B003003	41 zł
08	Nickel-grinded	M766B002008	M766B004008	26 zł	M766B001008	M766B003008	41 zł
10	Dark sand structural	M766B002010	M766B004010	23 zł	M766B001010	M766B003010	35 zł
11	Antique brass	M766B002011	M766B004011	26 zł	M766B001011	M766B003011	41 zł
17	Gray metallic	M766B002017	M766B004017	23 zł	M766B001017	M766B003017	35 zł

The connector is intended for connection with the valve central heating system:

VISION
INTEGRA
PREMIUM EXCLUSIVE



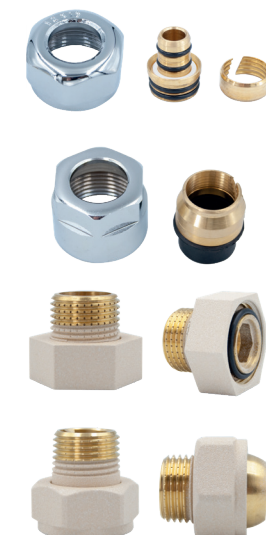
CONNECTION / CLAMPING ADAPTER GW 3/4"

Colors with delivery time 1-7 days

No	Color	PEX	Cu	Price	GZ 1/2" (ball)	GZ 1/2" (o-ring)	Price
01	Nickel	ZZ16x201	ZZM1501	11 zł	M619B006010	-	11 zł
02	Chrome	ZZ16x202	ZZM1502	22 zł	-	M869B002020	-
05	Structural graphite	ZZ16x205	ZZM1505	23 zł	M619B006050	M869B002050	23 zł
06	White	ZZ16x206	ZZM1506	22 zł	M619B006060	M869B002060	17 zł
07	Glossy anth./Graph.	ZZ16x207	ZZM1507	23 zł	M619B006070	M869B002070	23 zł
12	Metallic graphite	ZZ16x212	ZZM1512	23 zł	M619B006120	M869B002120	23 zł
13	Glossy black	ZZ16x213	ZZM1513	23 zł	M619B006130	M869B002130	23 zł
14	Structural black	ZZ16x214	ZZM1514	23 zł	M619B006140	M869B002140	23 zł
15	Dark str. graphite	ZZ16x215	ZZM1515	23 zł	M619B006150	M869B002150	23 zł
19	Structural white	ZZ16x219	ZZM1519	23 zł	M619B006190	M869B002190	23 zł
21	Matt white	ZZ16x221	ZZM1521	23 zł	M619B006210	M869B002210	23 zł
24	Matt black	ZZ16x224	ZZM1524	23 zł	M619B006240	M869B002240	23 zł

The connector is intended for connection with the valve central heating system:

TWINS
UNICO
UNO
TYPE V
TYPE V ELEGANT



Colors with delivery time 4-6 weeks

No	Color	PEX	Cu	Price	GZ 1/2" (ball)	GZ 1/2" (o-ring)	Price
03	Satin	ZZ16x203	ZZM1503	26 zł	M619B006030	M869B002030	31 zł
08	Nickel-grinded	ZZ16x208	ZZM1508	26 zł	-	M869B002080	-
10	Dark sand structural	ZZ16x210	ZZM1510	23 zł	M619B006100	M869B002100	23 zł
11	Antique brass	ZZ16x211	ZZM1511	26 zł	M619B006110	M869B002110	31 zł
17	Gray metallic	ZZ16x217	ZZM1517	23 zł	M619B006170	M869B002170	23 zł

CONNECTION ACCESSORIES

SCREWED CONNECTION GZ 1/2" x PEX 16x2 or Cu 15x1

Screwed connection external thread 1/2" x PEX (16x2) or Cu (15x1).

Adapted to valves:

AXI ELEGANT
BALL
ELEGANT
MASTER
ROYAL
SWING



Colors with delivery time 1-7 days

No	Color	PEX	Cu	Price
01	Nickel (PEX) Raw brass (Cu)	R187MX048-01	118500045/01	13 zł
02	Chrome	R187MX048-02	118500045/02	28 zł
05	Structural graphite	R187MX048-05	118500045/05	35 zł
06	White	R187MX048-06	118500045/06	28 zł
07	Glossy anth./Graph.	R187MX048-07	118500045/07	35 zł
12	Metallic graphite	R187MX048-12	118500045/12	35 zł
13	Glossy black	R187MX048-13	118500045/13	35 zł
14	Structural black	R187MX048-14	118500045/14	35 zł
15	Dark str. graphite	R187MX048-15	118500045/15	35 zł
19	Structural white	R187MX048-19	118500045/19	35 zł
21	Matt white	R187MX048-21	118500045/21	35 zł
24	Matt black	R187MX048-24	118500045/24	35 zł

Colors with delivery time 4-6 weeks

No	Color	PEX	Cu	Price
03	Satin	R187MX048-03	118500045/03	41 zł
08	Nickel-grinded	R187MX048-08	118500045/08	41 zł
10	Dark sand structural	R187MX048-10	118500045/10	35 zł
11	Antique brass	R187MX048-11	118500045/11	41 zł
17	Gray metallic	R187MX048-17	118500045/17	35 zł

TRANSITIONAL CONNECTOR



Color	Catalog number	Price
Nickel	000M806A002	22 zł

Adapter 15mm x external thread 1/2". The nipple allows a safe transition from brass to thread GZ 1/2".

REDUCING NIPPLE



Color	Catalog number	Price
Raw	000M804A001	8 zł
Chrome	000M804A002	10 zł

Reducing nipple 3/4" x 1/2"

Designed for valves:

TWINS, UNICO, UNO, TYPU V, TYPU V ELEGANCKI.

FLEXIBLE COVERING SLEEVE



Color	Catalog number	Price
Chrome	7990700	23 zł
White	7990690	23 zł

Flexible masking sleeve for PEX or Cu tubes with a length of 60 mm. The flexible masking sleeve allows aesthetic covering of the installation pipes (PEX or Cu) between the wall and the radiator. The design of the sleeve allows its assembly after connecting the heater to the installation.

CONNECTION ACCESSORIES

SCREW



Color	Version	Catalog number	Price
Nickel	1/2"	M619C020200	21 zł
Nickel	3/4"	M621C017200	21 zł
Nickel	3/8"	M617C017200	21 zł

Telescopic screw connection comes in three configurations: 1/2", 3/4" or 3/8".

T-PIECE FOR AN ELECTRIC HEATER



Colors with delivery time 1-7 days

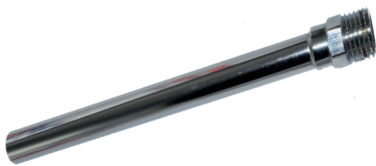
TR1/202	Chrome	40 zł	TR1/214	Structural black	46 zł
TR1/205	Structural graphite	46 zł	TR1/215	Dark str. graphite	46 zł
TR1/206	White	40 zł	TR1/219	Structural white	46 zł
TR1/207	Glossy anth./Graph.	46 zł	TR1/221	Matt white	46 zł
TR1/212	Metallic graphite	46 zł	TR1/224	Matt black	46 zł
TR1/213	Glossy black	46 zł			

Colors with delivery time 4-6 weeks

TR1/203	Satin	49 zł
TR1/208	Nickel-grinded	49 zł
TR1/210	Dark sand structural	42 zł
TR1/211	Antique brass	49 zł
TR1/217	Gray metallic	42 zł

T-piece for electric heater with internal thread 1/2" x external thread 1/2" x external thread 1/2".

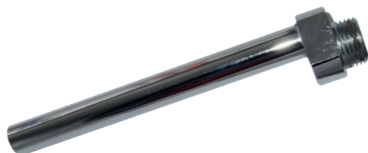
CENTER TUBE



7199998	29 zł
---------	-------

Centric tube external thread 1/2" x Ø15 x 150, adapted to connect valves with a central heating installation, having an output a internal thread 1/2".

ECCENTRIC RUBE



7190290	48 zł
---------	-------

Eccentric tube external thread 1/2" x Ø15 x 150 adapted to connect valves with a central heating installation, having an output a internal thread 1/2". The tube has the ability to adjust the centricity in the 7.5 mm range to one side between the installation and the radiator.

BATHROOM HEATERS

BATHROOM HEATER

Electric bathroom heater for bathroom radiators, used in the summer to heat the radiator and use it as a dryer.



Colors with delivery time 1-7 days

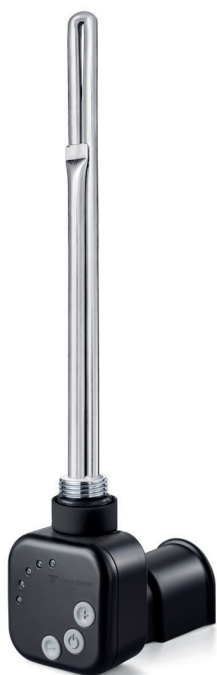
Color	Power	Catalog number	Price
Chrome	300 W	GVT300W/02	418 zł
Chrome	400 W	GVT400W/02	418 zł
Chrome	600 W	GVT600W/02	418 zł
Chrome	1000 W	GVT1000W/02	418 zł
White	300 W	GVT300W/06	368 zł
White	400 W	GVT400W/06	368 zł
White	600 W	GVT600W/06	368 zł
White	1000 W	GVT1000W/06	368 zł
Black	300 W	GVT300W/14	399 zł
Black	400 W	GVT400W/14	399 zł
Black	600 W	GVT600W/14	399 zł
Black	1000 W	GVT1000W/14	399 zł

Colors with delivery time 4-6 weeks

Color	Power	Catalog number	Price
Satin	300 W	GVT300W/03	399 zł
Satin	400 W	GVT400W/03	399 zł
Satin	600 W	GVT600W/03	399 zł

BATHROOM HEATER WITH MASK

Electric bathroom heater with mask for bathroom radiators, used in the summer to heat the radiator and use it as a dryer.



Colors with delivery time 1-7 days

Color	Power	Catalog number	Price
Chrom	300 W	GVT300W/M/02	483 zł
Chrom	400 W	GVT400W/M/02	483 zł
Chrom	600 W	GVT600W/M/02	483 zł
Chrom	1000 W	GVT1000W/M/02	483 zł
White	300 W	GVT300W/M/06	433 zł
White	400 W	GVT400W/M/06	433 zł
White	600 W	GVT600W/M/06	433 zł
White	1000 W	GVT1000W/M/06	433 zł
Black	300 W	GVT300W/M/14	464 zł
Black	400 W	GVT400W/M/14	464 zł
Black	600 W	GVT600W/M/14	464 zł
Black	1000 W	GVT1000W/M/14	464 zł

Colors with delivery time 4-6 weeks

Color	Power	Catalog number	Price
Satin	300 W	GVT300W/M/03	464 zł
Satin	400 W	GVT400W/M/03	464 zł
Satin	600 W	GVT600W/M/03	464 zł





The photo shows the TWINS thermostatic set right version

COLOR TABLE

#Color GALVANIC COVERINGS

02	CHROME	
03	SATIN	
08	NICKEL-GRINDED	
11	ANTIQUÉ BRASS	
20	SHINY GALVANIC GOLD	

#Color POWDER PAINTING

05	STRUCTURAL GRAPHITE	
06	WHITE <small>RAL9003</small>	
07	ANTHRACITE/ GLOSSY GRAPHITE <small>RAL7016</small>	
10	DARK SAND STRUCTURAL	
12	METALLIC GRAPHITE	
13	GLOSSY BLACK <small>RAL9005</small>	
14	STRUCTURAL BLACK <small>RAL9005</small>	
15	DARK STR. GRAPHITE	
17	GRAY METALLIC	
19	STRUCTURAL WHITE	
21	MATT WHITE <small>RAL9003</small>	
24	MATT BLACK <small>RAL9005</small>	
26	DEEP MATT BLACK	

Color markings:

#Color means the color number

Designation for Elegant, Exclusive and RTL sets:

Sample catalog number for the Premium Exclusive angular set using the color numbering Nickel-Grinded (**08** - color number in the table):

PREGS0208C/FK

Designation for Prestige heads, valves, connection accessories:

Sample catalog number for the LUX Thermostatic valve in the right version using the Satin color numbering (**03** - color number in the table):

000M764A003

For **non-standard** color versions, there is an additional payment to the catalog price. Details from the Export Department.

TABLE OF CONTENTS

CHAPTER	PRODUCT	PAGE
PONY thermostatic heads	GS.10	4
TRENDY thermostatic heads	GS.05, GS.06, GS.07, GS.08, GHe.02	6
VENUS thermostatic heads	GS.09: VENUS I, VENUS II	8
PICCO thermostatic heads	GS.02, GS.03, GS.04	10
PRESTIGE thermostatic heads	GS.02, GS.03, GS.04, GHe.01	14
TUCAN thermostatic heads	GS.10	20
CONTACT thermostatic heads	With contact sensor	22
DISTANT thermostatic heads	With remote sensor	23
Thermostatic valve		24
ECONOMIC sets	ECON, SWING II, SIMPLE, ARCUS, AXI ECONOMIC	30
STANDARD sets	STANDARD, MASTER, VERSO, UNO, TYPE V	32
ELEGANT sets	TYPE V ELEGANT	36
ELEGANT sets	BALL	38
ELEGANT sets	SWING	39
ELEGANT sets	AXI ELEGANT	40
ELEGANT sets	MASTER	41
ELEGANT sets	ELEGANT	42
ELEGANT sets	ROYAL	43
EXCLUSIVE sets	TWINS	44
EXCLUSIVE sets	TWINS regulating	48
EXCLUSIVE sets	TWINS shut-off	49
EXCLUSIVE sets	UNICO	50
EXCLUSIVE sets	UNICO regulating	51
EXCLUSIVE sets	VISION	52
EXCLUSIVE sets	VISION regulating	53
EXCLUSIVE sets	INTEGRA	54
EXCLUSIVE sets	INTEGRA regulating	55
EXCLUSIVE sets	QUATTRO	58
EXCLUSIVE sets	QUATTRO regulating	59
EXCLUSIVE sets	LUX I	60
EXCLUSIVE sets	LUX II	61
EXCLUSIVE sets	PREMIUM EXCLUSIVE	62
Floor heating		64
RTL sets	STANDARD RTL, LIMIT BOX	65
RTL sets	TWINS RTL, UNICO RTL	66
RTL sets	VISION RTL, LUX II RTL	67
Products for installation heating and water	Safety group	68
Masking accessories	Masking rosette and masking sets	70
Connection accessories	Extension	74
Connection accessories	Connections, nipples	75
Connection accessories	Various	77
Bathroom heaters		78
Color		80



vario term

saving energy 

Vario Term sp. z o.o.
ul. Ogórkowa 96, 04-998
Warsaw
tel. +48 22 872 42 14
biuro@varioterm.pl

www.varioterm.pl / en

